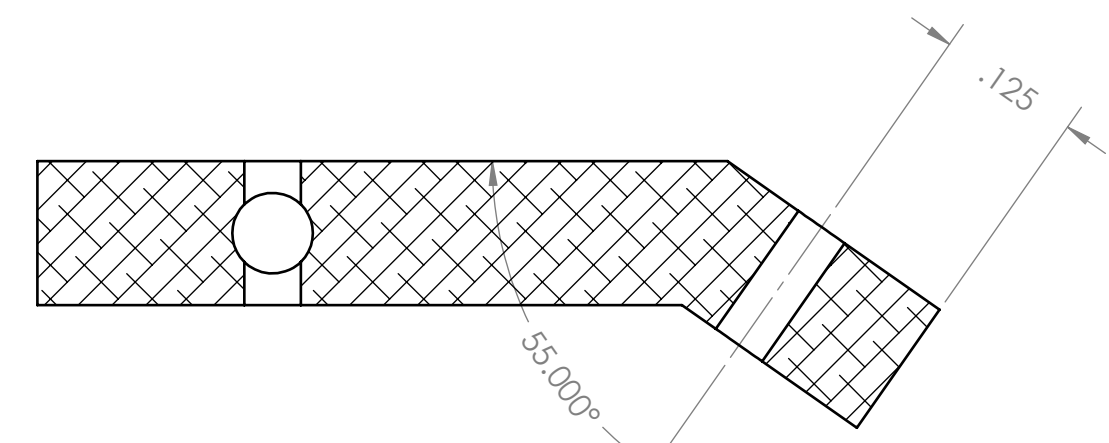
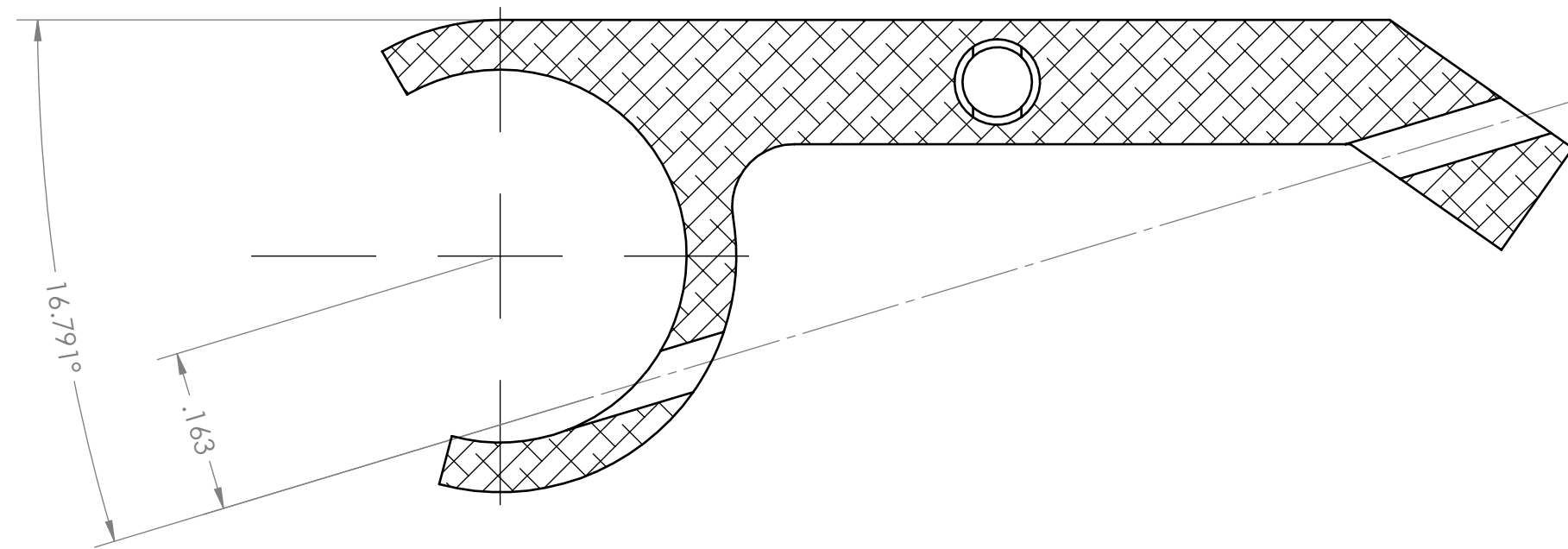
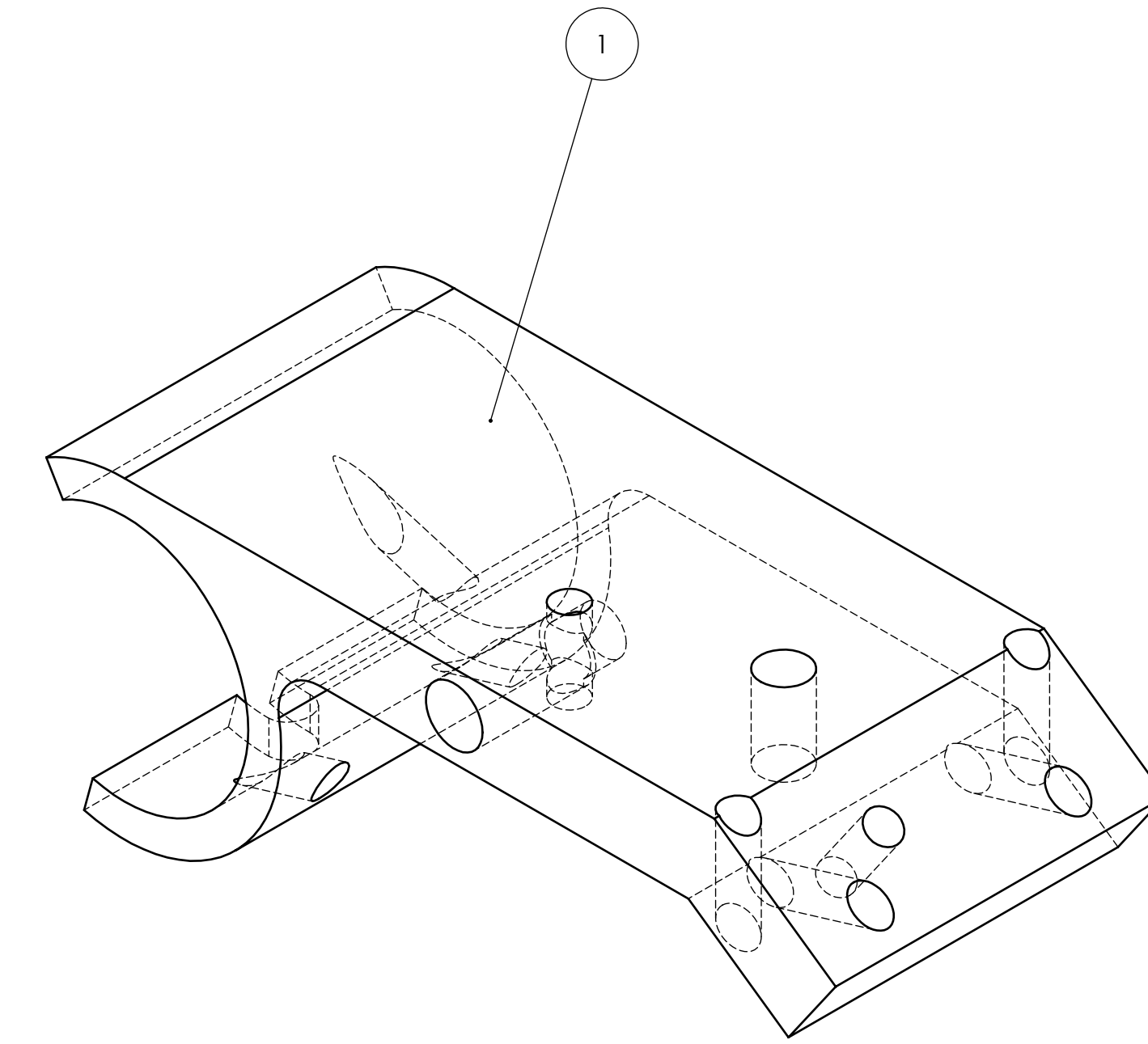
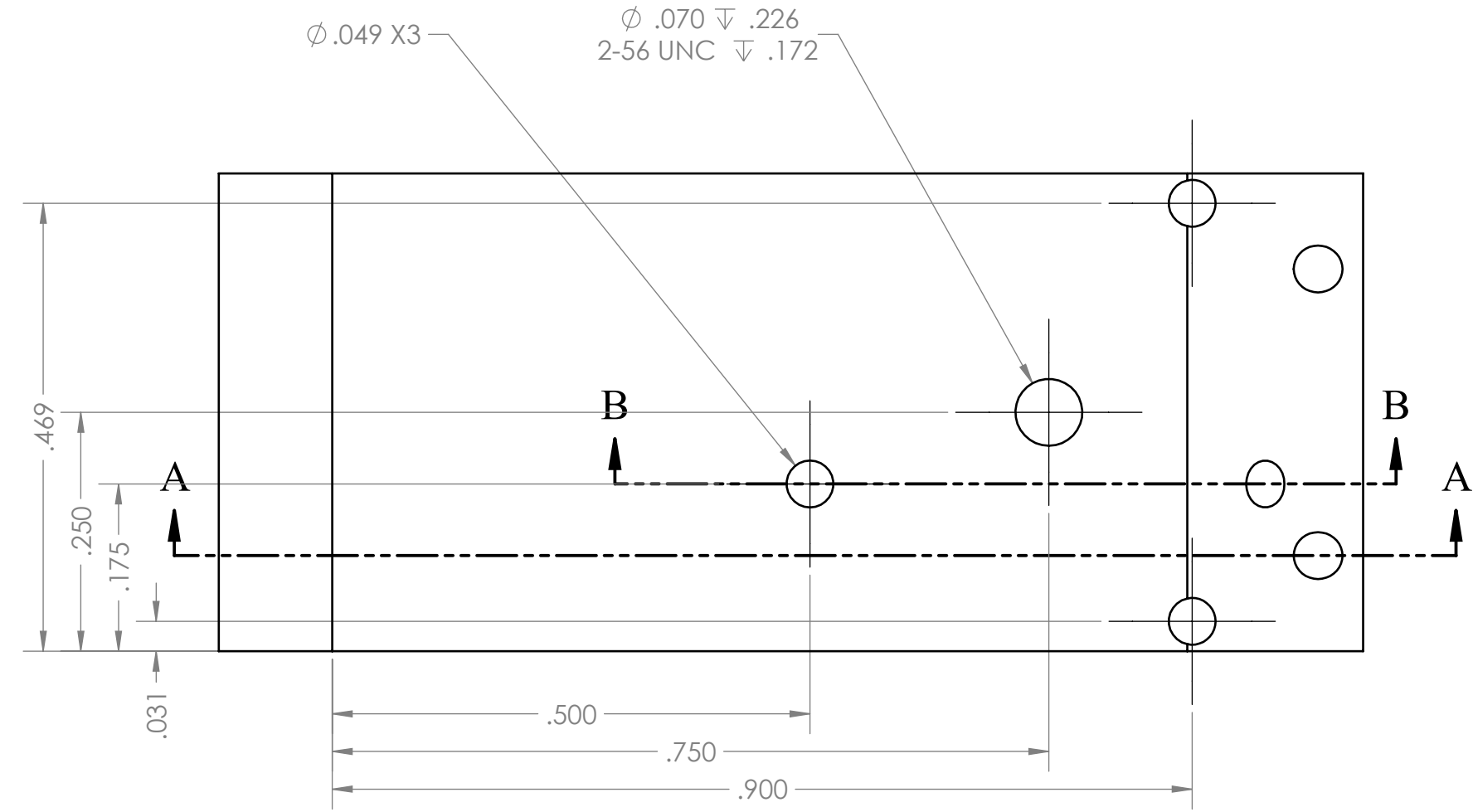


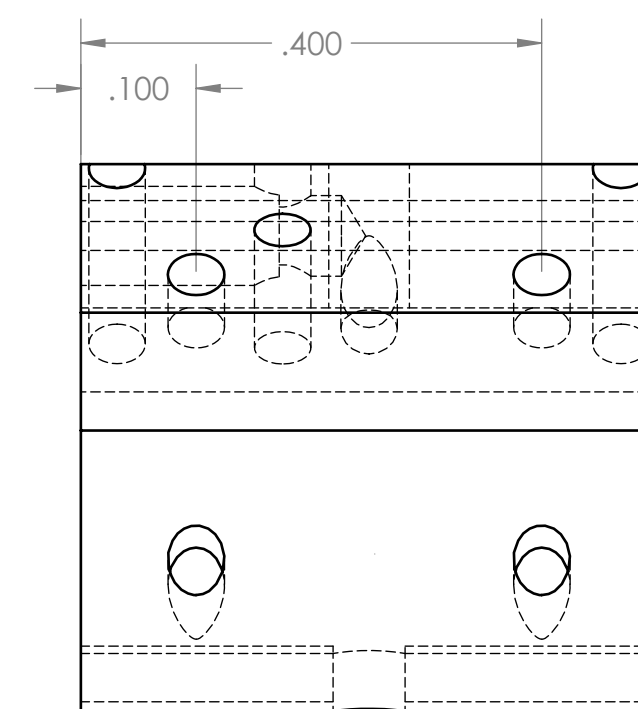
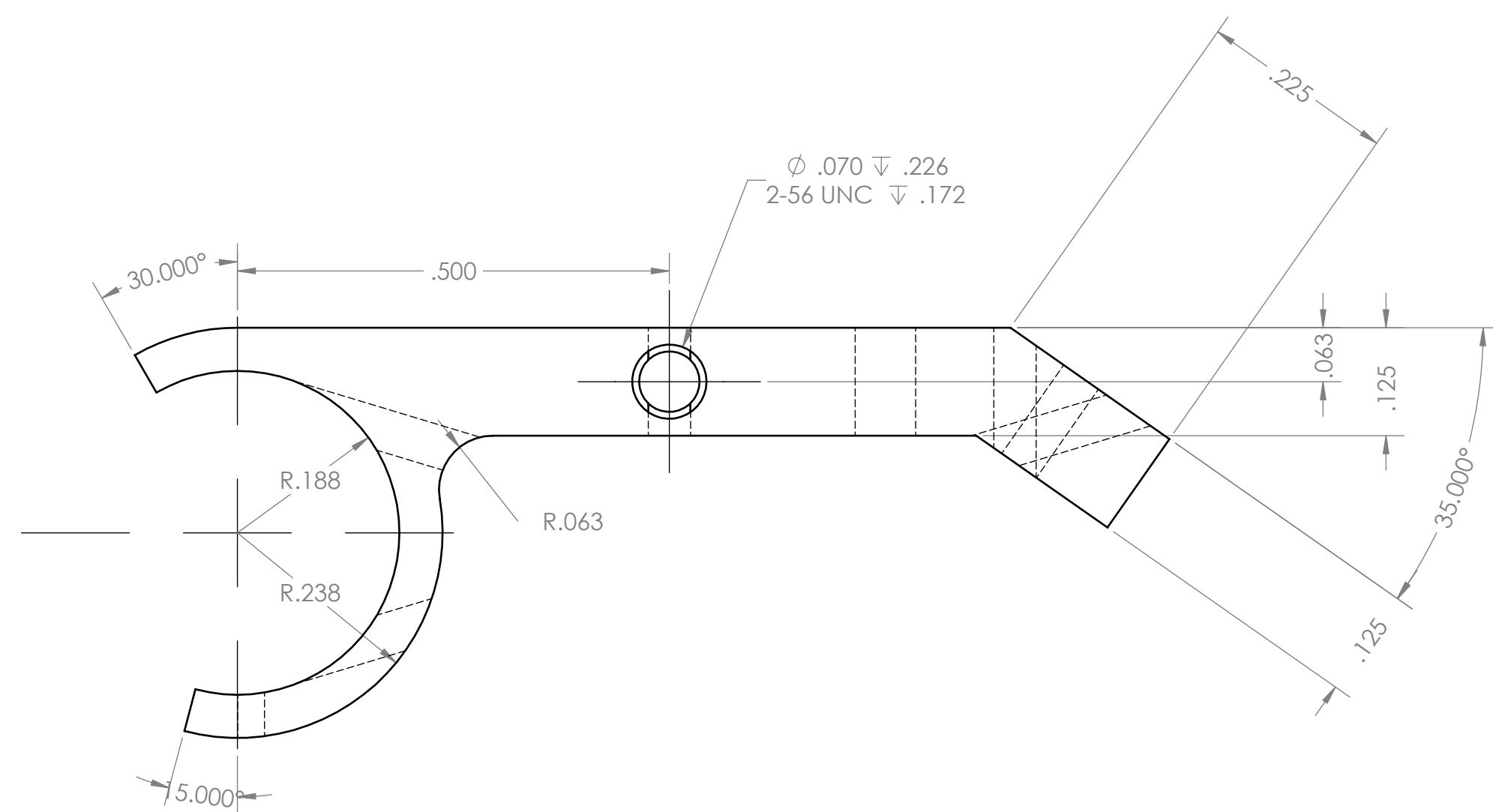
ITEM NO.	NAME	DESCRIPTION	Material	QTY.
1	INTERMEDIATE PHALANXES	MACHINED PART	6061 T-6	1



SECTION B-B

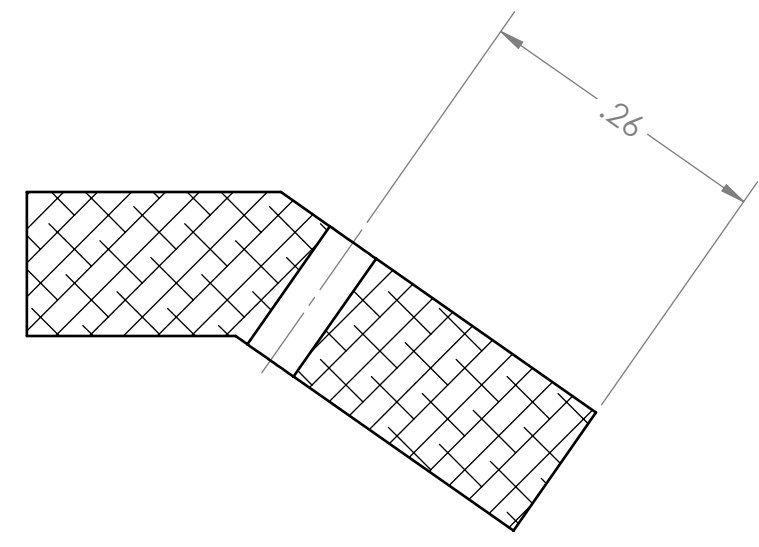


SECTION A-A

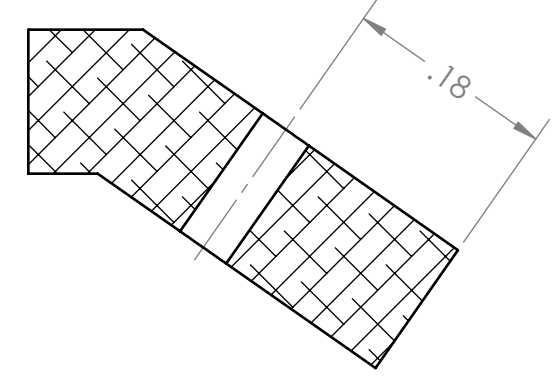


UNLESS OTHERWISE SPECIFIED				APPROVALS	DATE
DIMENSIONS ARE IN INCHES				P.M.	
TOLERANCES				Q.A.	
	DECIMALS	FRACTIONS	PROD.		
	.X .XX .XXX	2"<THK. >2" THK.	ENG.		
0-6"	±.1 ±.05 ±.010	±1/8" ±3/16"	OTHER		
>6"-24"	±.1 ±.05 ±.010	±3/16" ±1/4"			
>24"-60"	±.1 ±.05 ±.016	±1/4" ±3/8"			
>60"+	±.1 ±.05 ±.031	±3/8" ±1/2"			
ANGLES: ± 2.5°				DRAWN BY:	
THIRD ANGLE PROJECTION				CHECKED BY:	
				PROPRIETARY AND CONFIDENTIAL THE INFORMATION CONTAINED IN THIS DRAWING IS THE SOLE PROPERTY OF RECOVERED ENERGY, INC. ANY REPRODUCTION IN PART OR AS A WHOLE WITHOUT THE WRITTEN PERMISSION OF RECOVERED ENERGY, INC. IS PROHIBITED.	
P.O. #: - SIZE: D 1SWX1 SCALE: N.T.S.				MS4-M-100-2 REV: ? TOTAL SHEETS: 10	

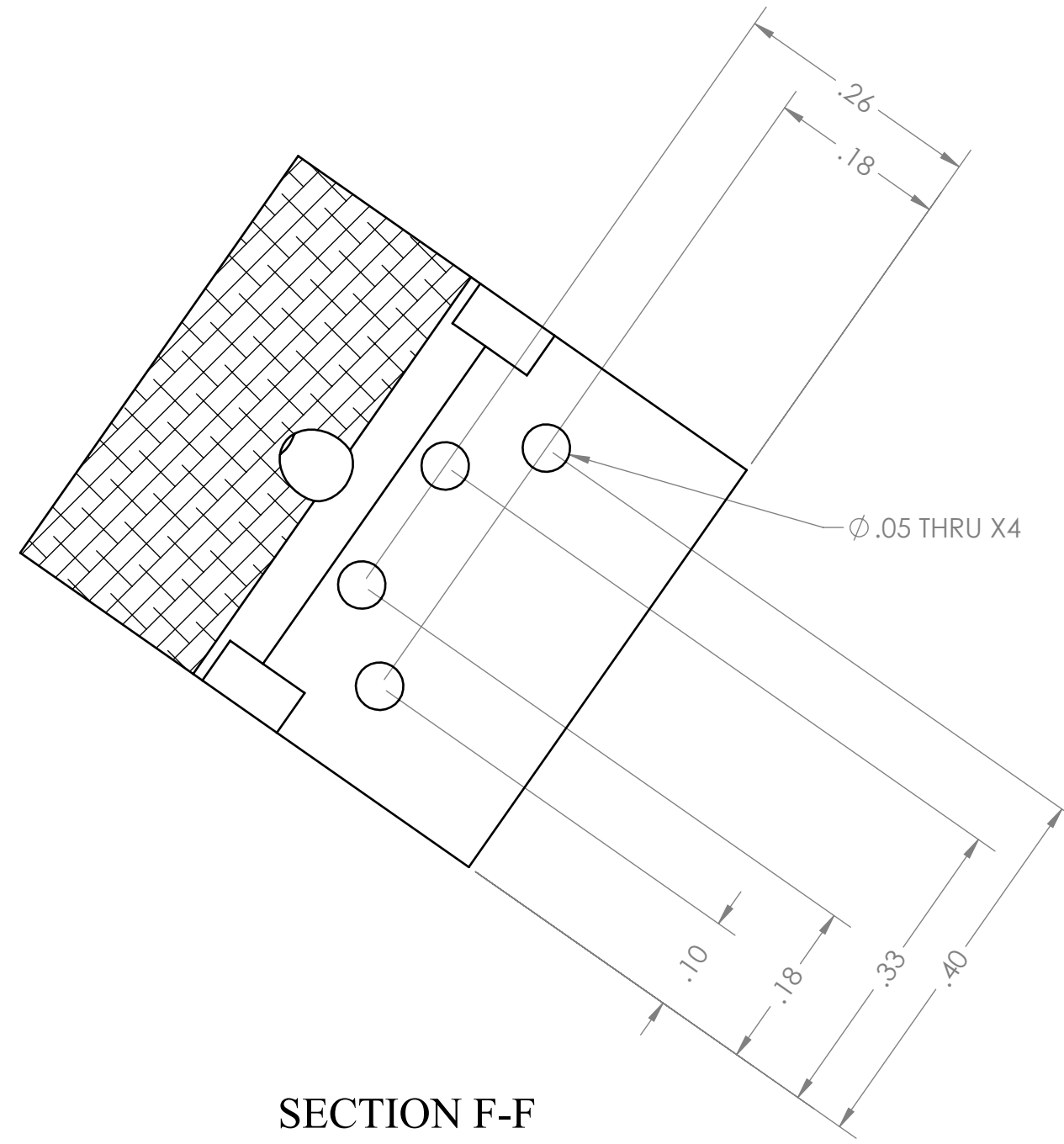
ITEM NO.	NAME	DESCRIPTION	Material	QTY.
1	PROXIMAL PHALANGES	MACHINEED PART	6061 T-6	1



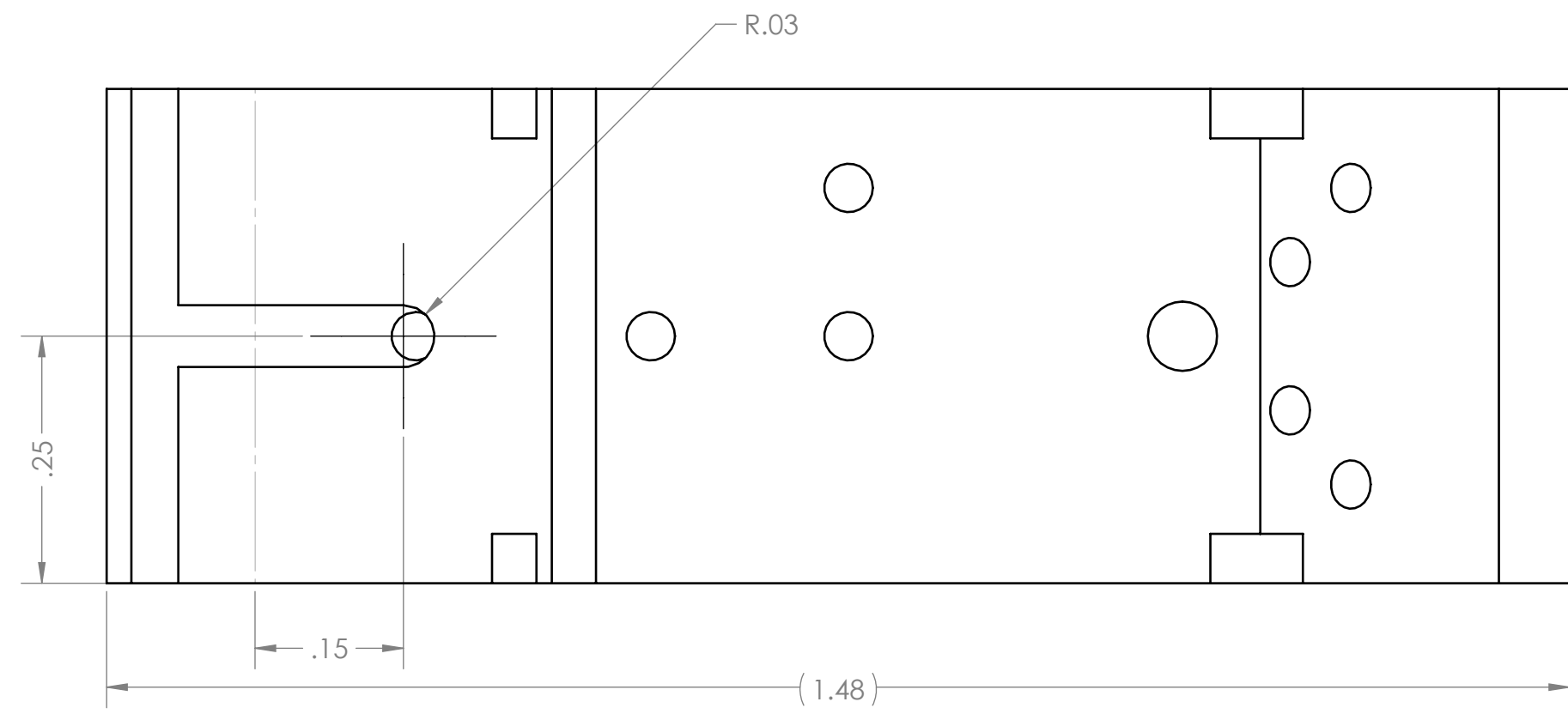
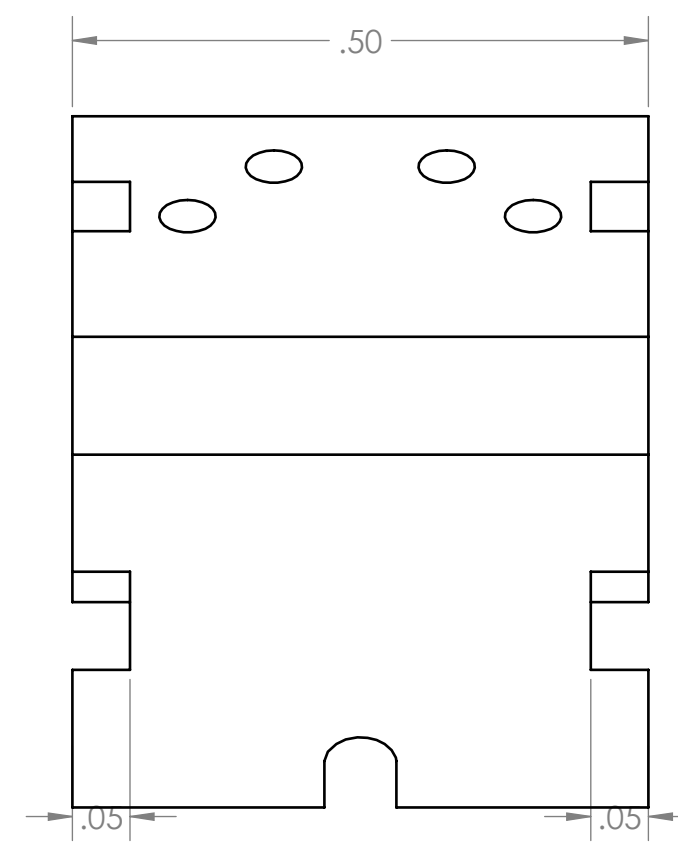
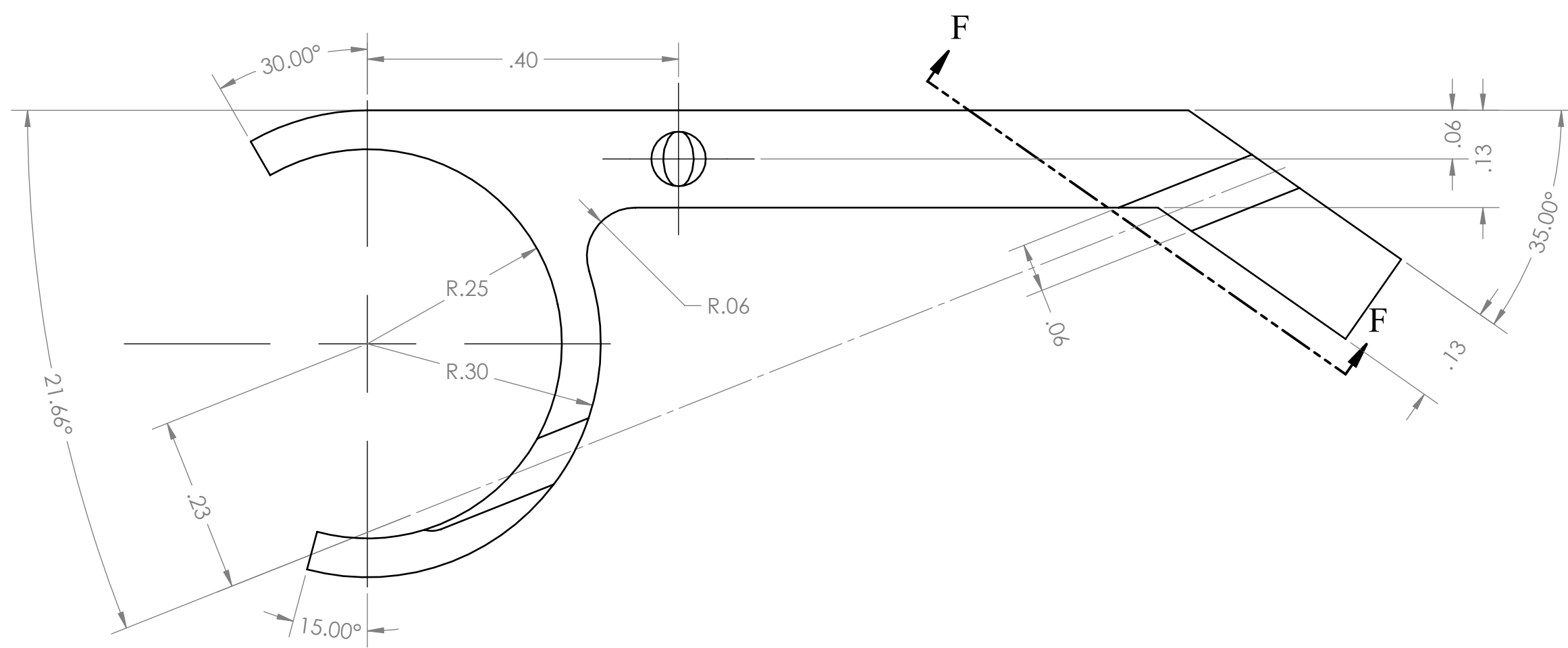
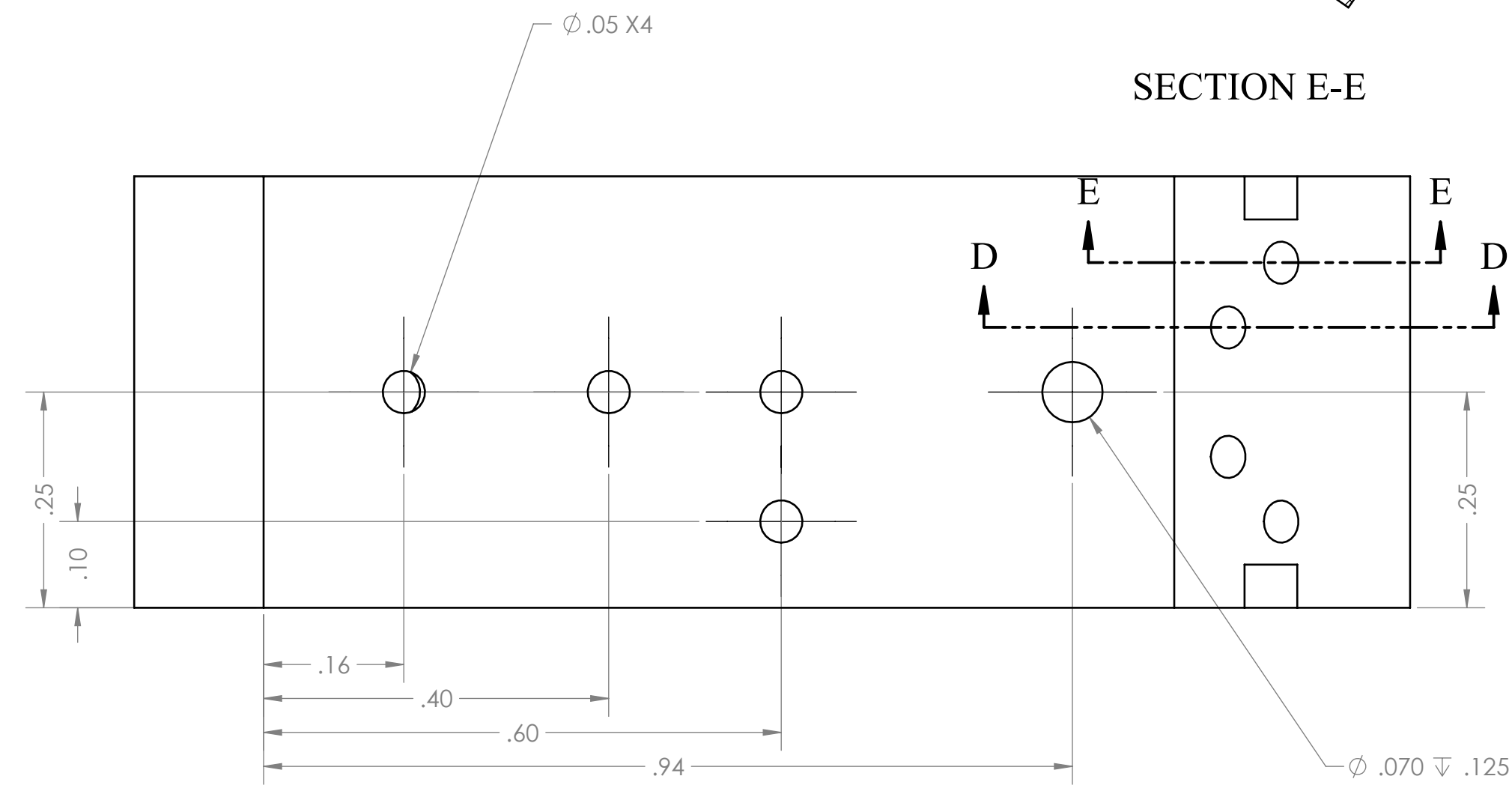
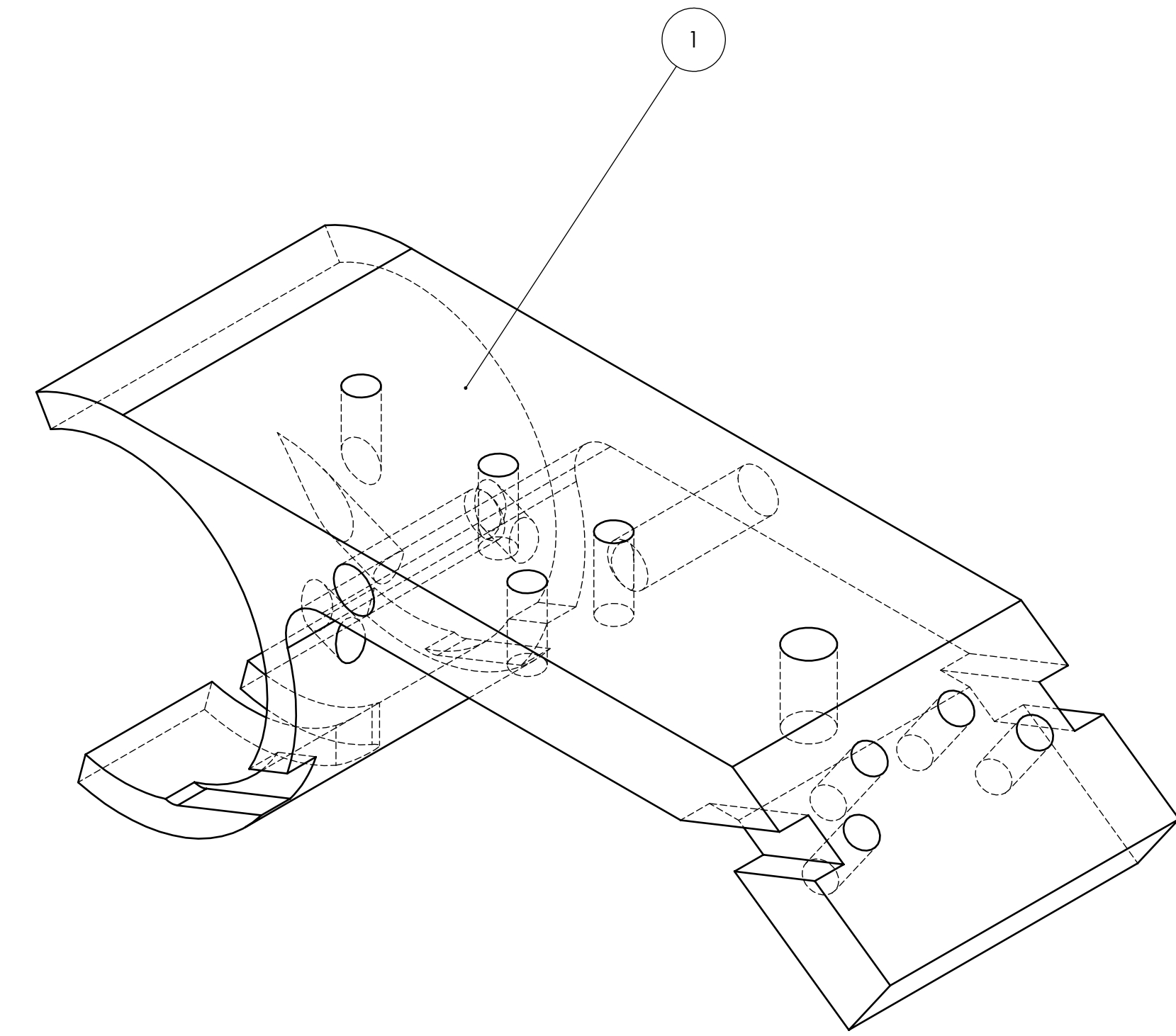
SECTION D-D



SECTION E-E

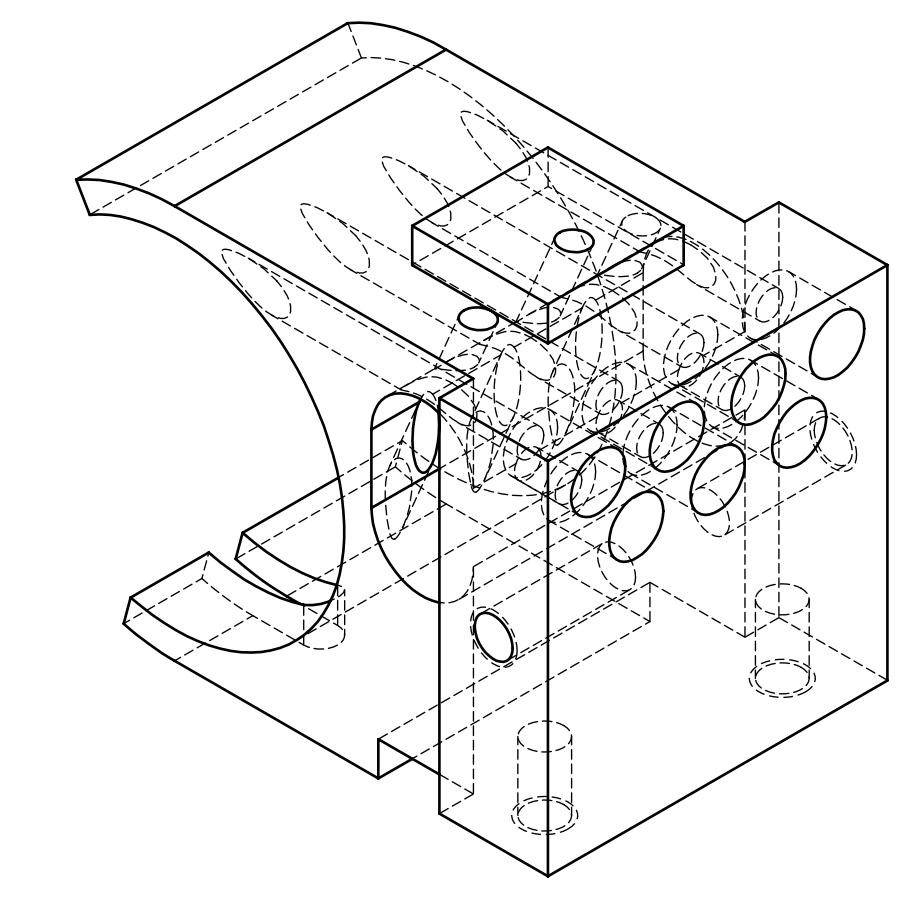
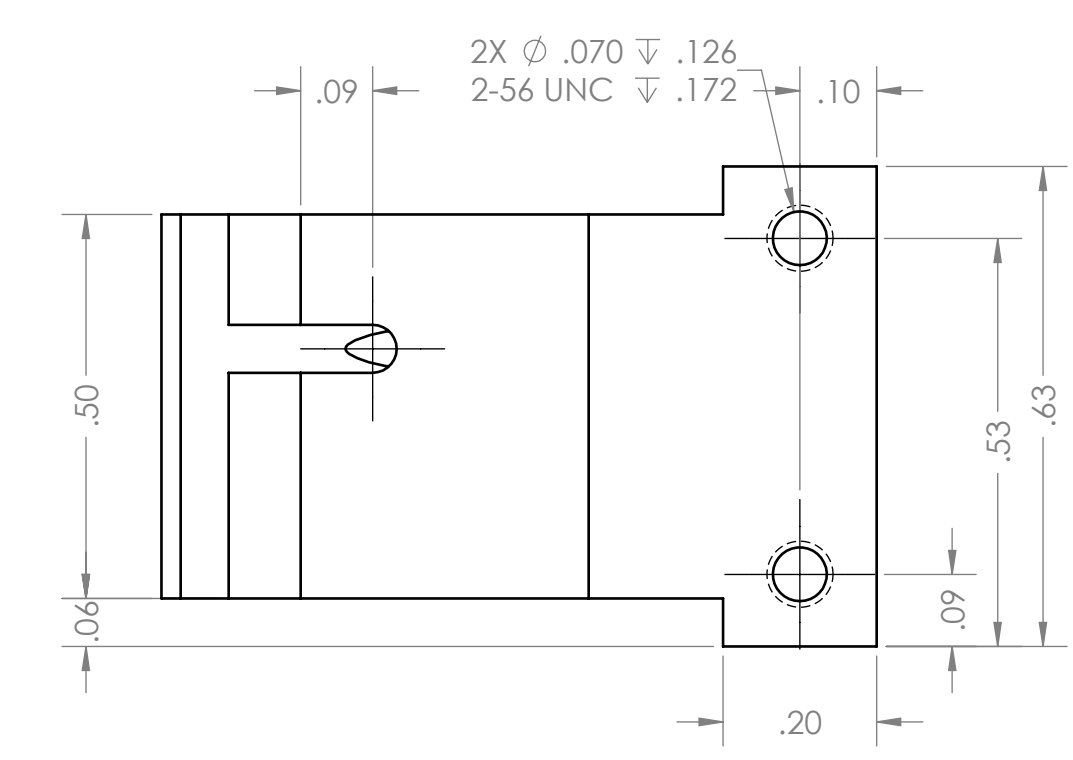
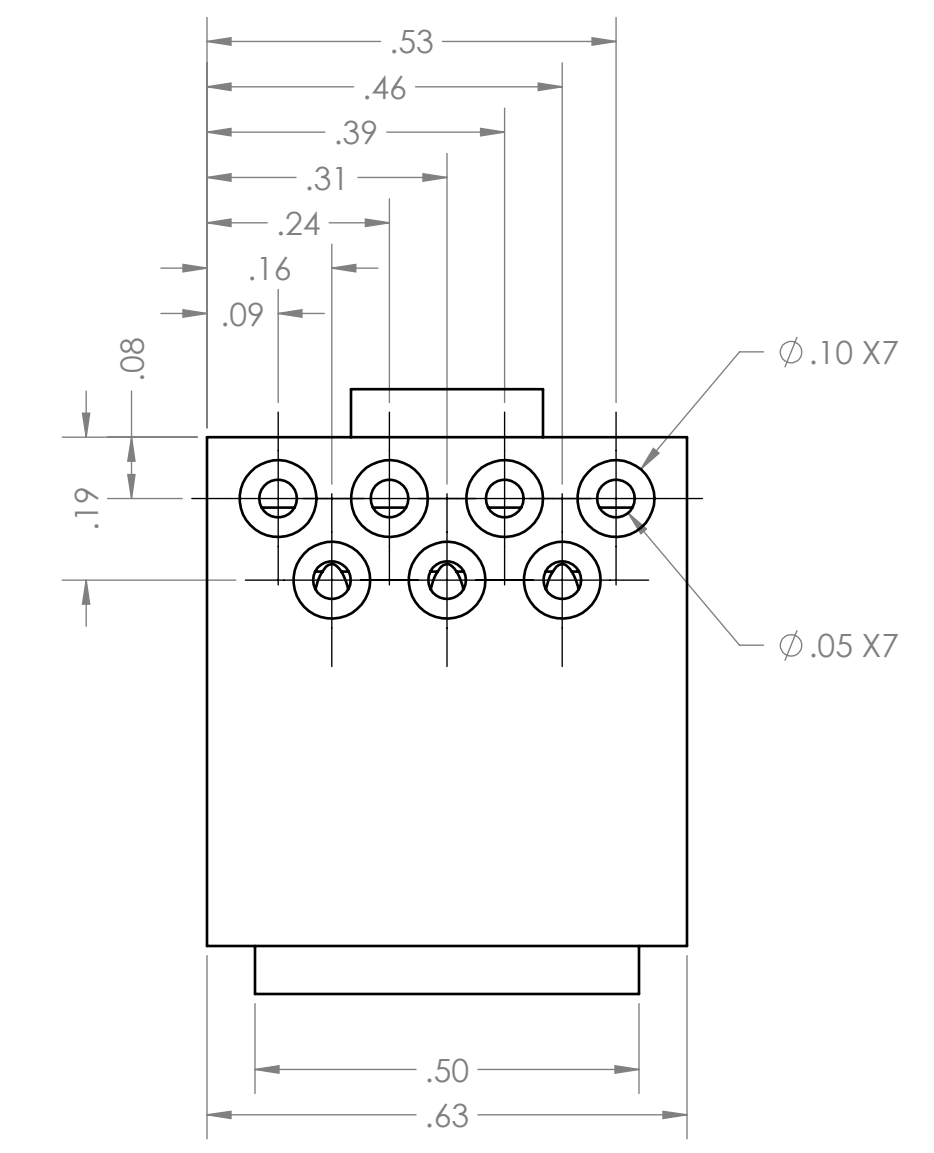
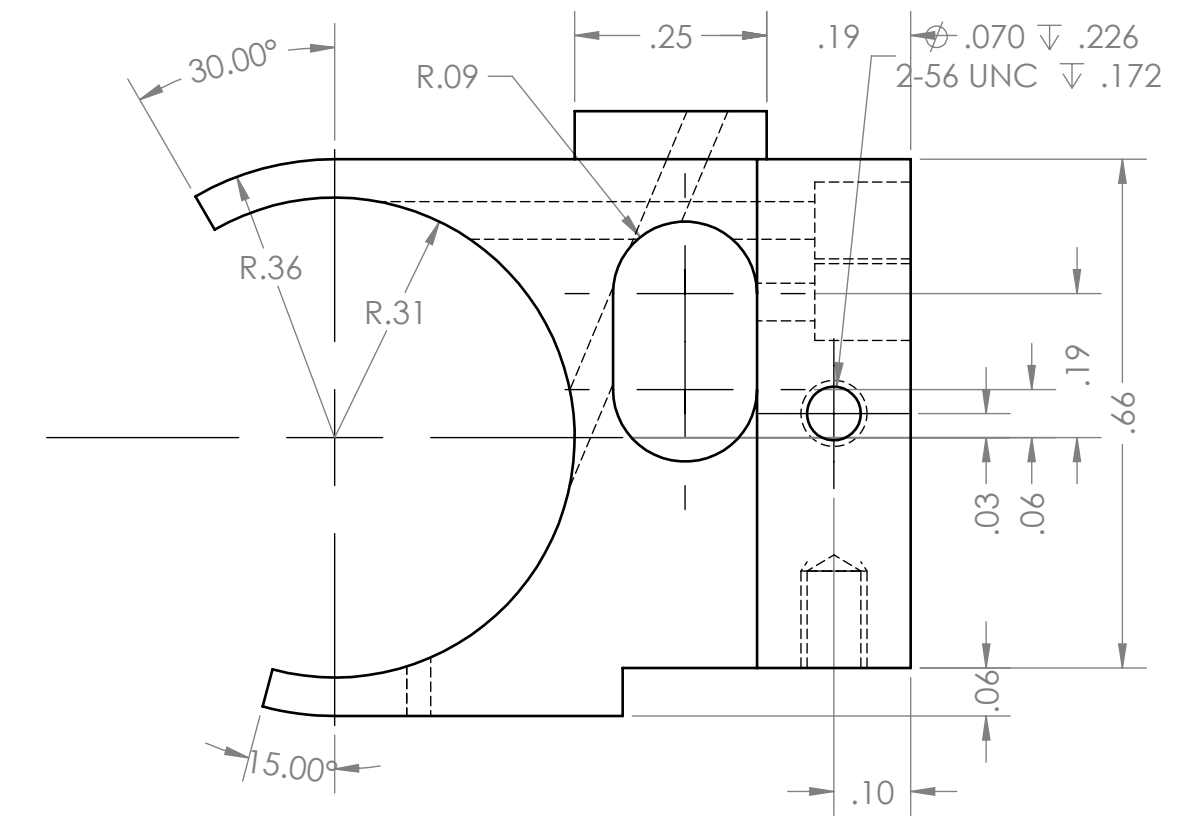
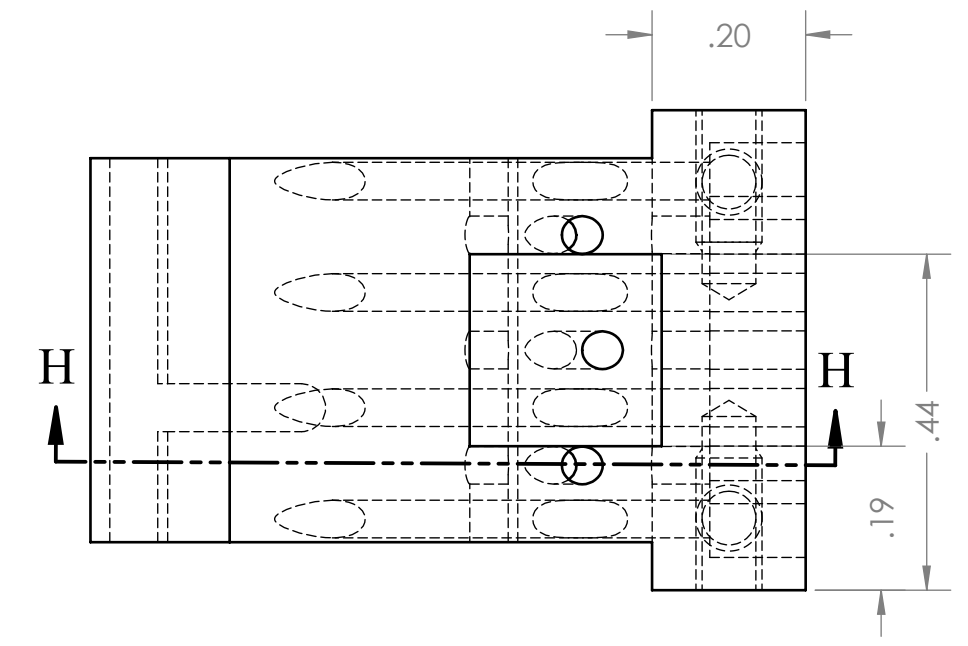
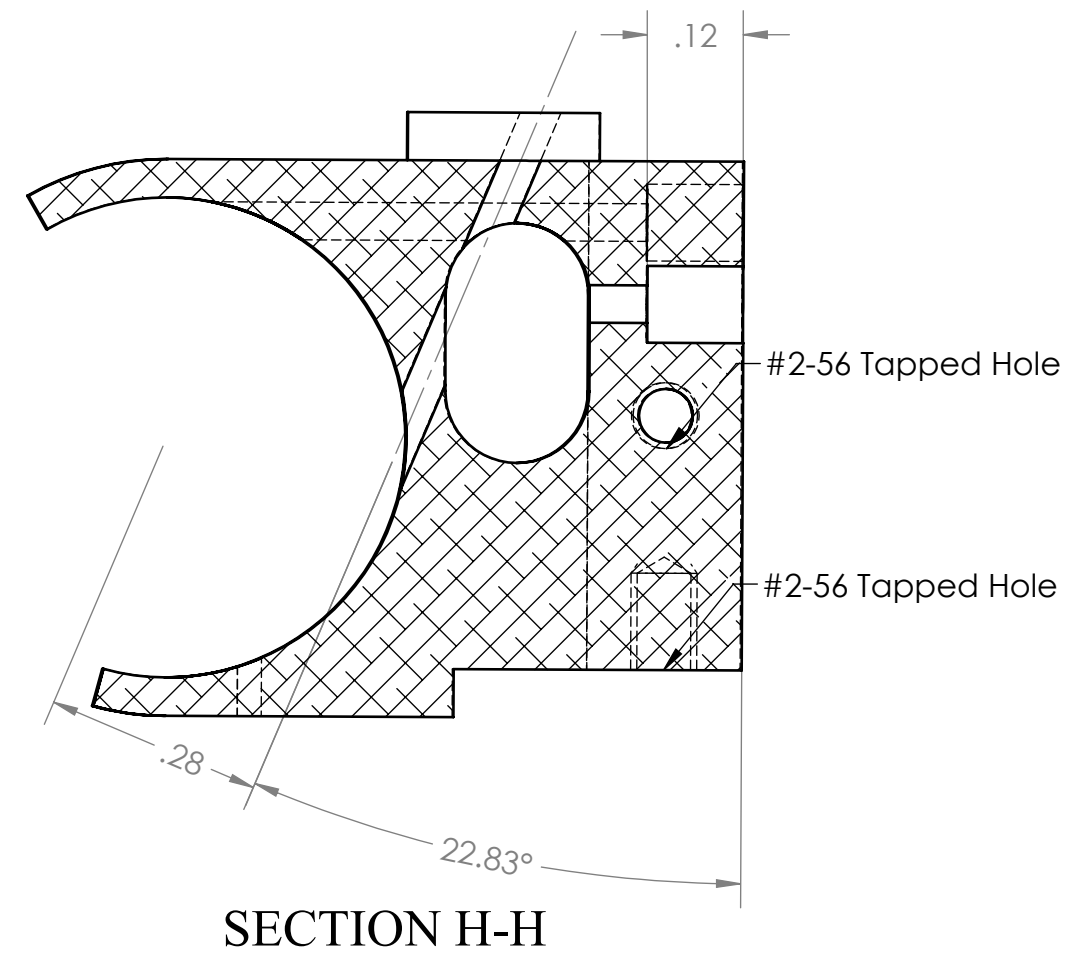


SECTION F-F

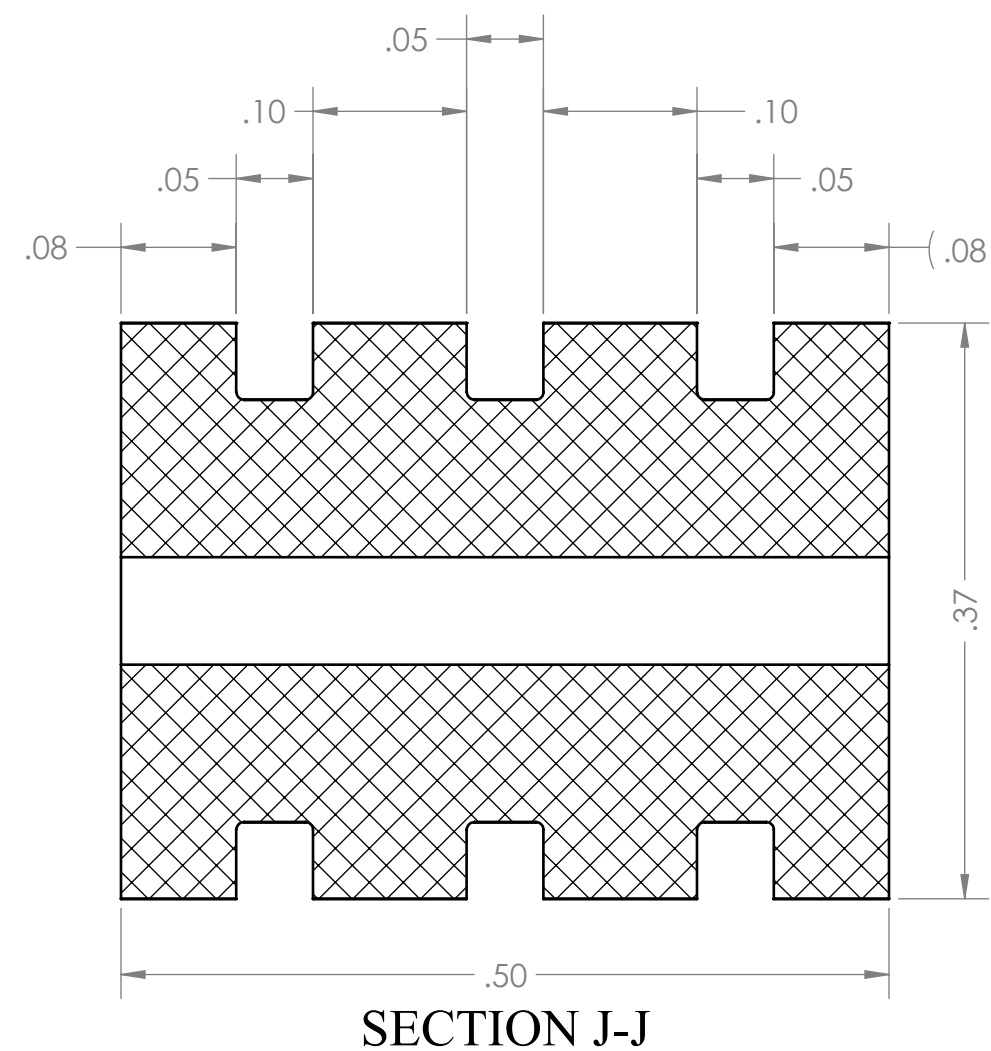
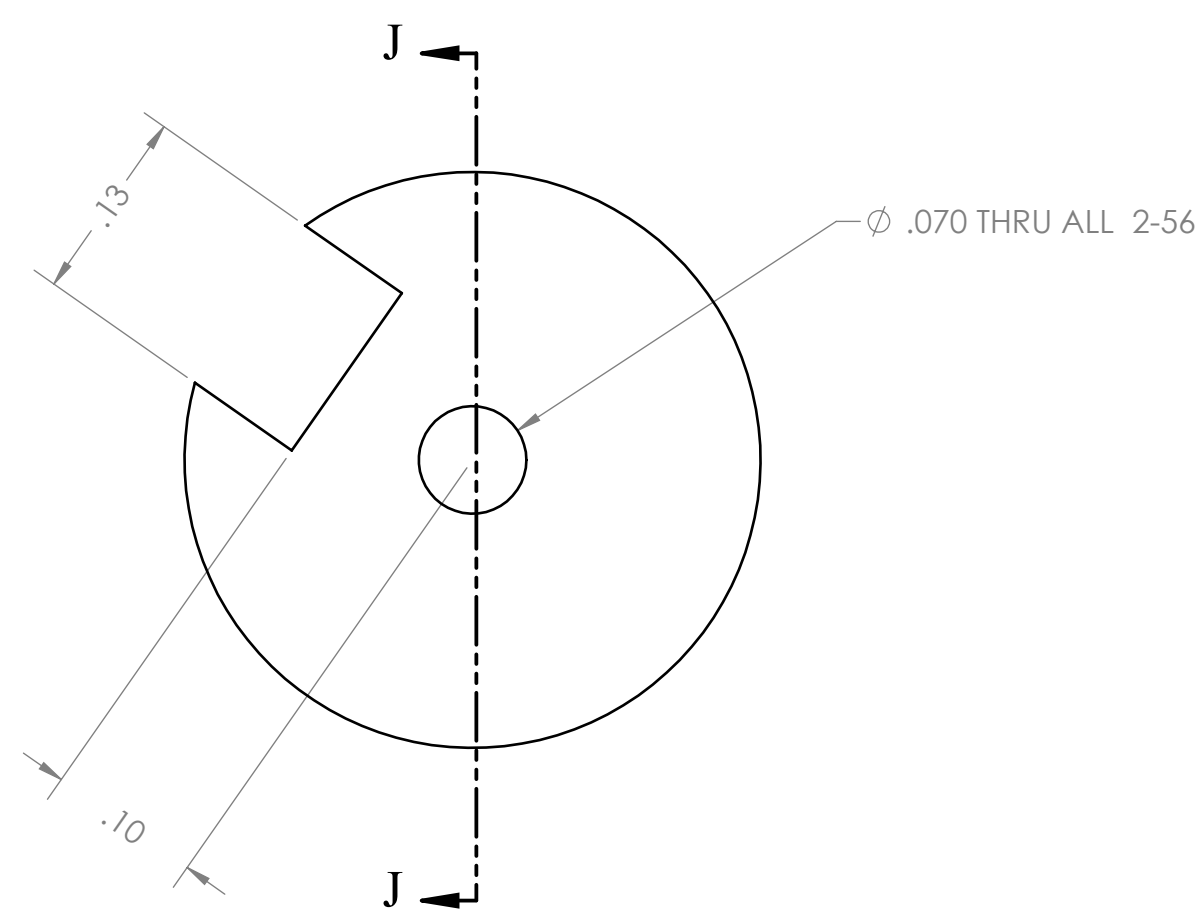
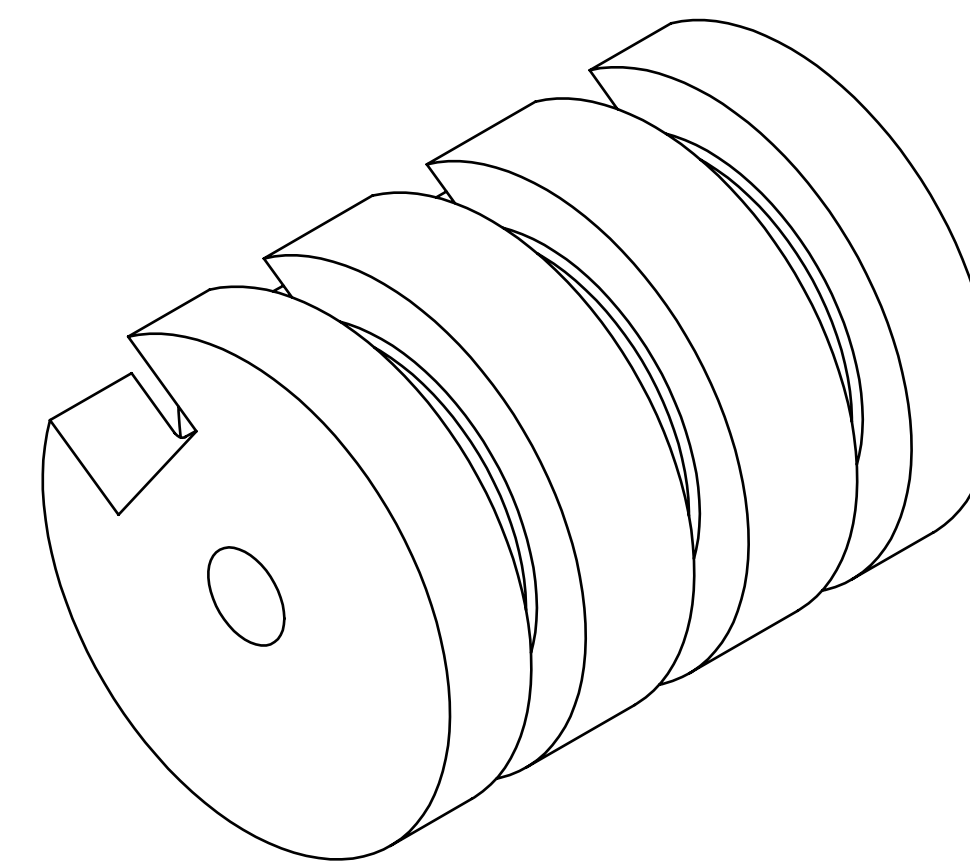
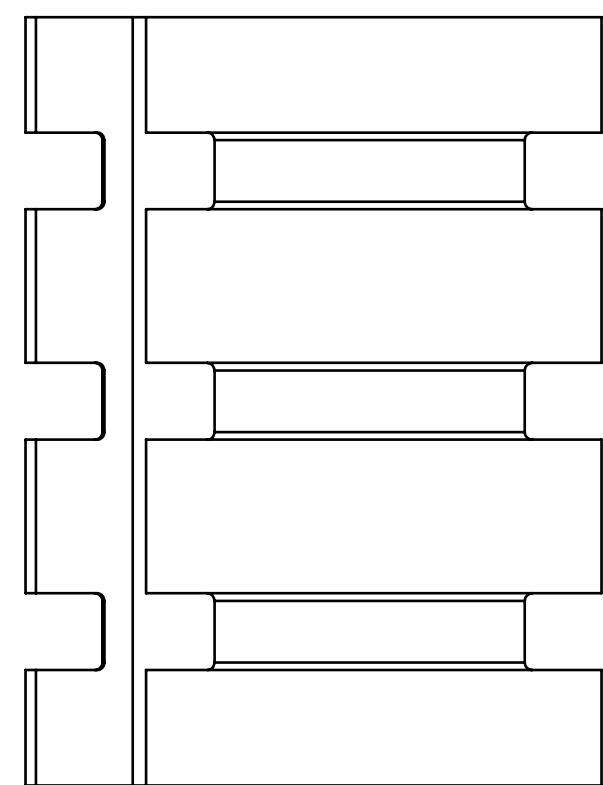


UNLESS OTHERWISE SPECIFIED				APPROVALS	DATE
DIMENSIONS ARE IN INCHES				P.M.	
TOLERANCES				Q.A.	
	DECIMALS	FRACTIONS	PROD.		
	.X .XX .XXX	2" < THK. > 2" THK.	ENG.		
0-.6"	±.1 ±.05 ±.010	±1/8" ±3/16"	OTHER		
>.6"-24"	±.1 ±.05 ±.010	±3/16" ±1/4"			
>24"-60"	±.1 ±.05 ±.016	±1/4" ±3/8"			
>60"+	±.1 ±.05 ±.031	±3/8" ±1/2"			
ANGLES: ± 2.5°				DRAWN BY:	
THIRD ANGLE PROJECTION				CHECKED BY:	
				PROPRIETARY AND CONFIDENTIAL THE INFORMATION CONTAINED IN THIS DRAWING IS THE SOLE PROPERTY OF RECOVERED ENERGY, INC. ANY REPRODUCTION IN PART OR AS A WHOLE WITHOUT THE WRITTEN PERMISSION OF RECOVERED ENERGY, INC. IS PROHIBITED.	
				P.O. #:	REV
				SIZE: D	?
SCALE: N.T.S.				MS4-M-100-3	TOTAL SHEETS: 10

ITEM NO.	NAME	DESCRIPTION	Material	QTY.
1	METACARPAL	MACHINED PART	6061 T-6	1



UNLESS OTHERWISE SPECIFIED				APPROVALS	DATE
DIMENSIONS ARE IN INCHES				P.M.	
TOLERANCES				Q.A.	
	DECIMALS	FRACTIONS		PROD.	
	.X .XX .XXX	2" < THK. > 2" THK.		ENG.	
0-.6"	±.1 ±.05 ±.010	±1/8" ±3/16"		OTHER	
>.6"-24"	±.1 ±.05 ±.010	±3/16" ±1/4"			
>24"-60"	±.1 ±.05 ±.016	±1/4" ±3/8"			
>60"+	±.1 ±.05 ±.031	±3/8" ±1/2"			
ANGLES: ± 2.5°				DRAWN BY:	
THIRD ANGLE PROJECTION				CHECKED BY:	
				PROPRIETARY AND CONFIDENTIAL THE INFORMATION CONTAINED IN THIS DRAWING IS THE SOLE PROPERTY OF RECOVERED ENERGY, INC. ANY REPRODUCTION IN PART OR AS A WHOLE WITHOUT THE WRITTEN PERMISSION OF RECOVERED ENERGY, INC. IS PROHIBITED.	
				P.O. #:	REV
SIZE: D 1SWX1 SCALE: N.T.S.		MS4-M-100-4		?	
TOTAL SHEETS: 10					



UNLESS OTHERWISE SPECIFIED					APPROVALS	DATE
DIMENSIONS ARE IN INCHES					P.M.	
TOLERANCES					Q.A.	
	DECIMALS	FRACTIONS		PROD.		
	.X .XX .XXX	2" < THK.	> 2" THK.	ENG.		
0-6"	±.1 ±.05 ±.010	±1/8"	±3/16"	OTHER		
>6"-24"	±.1 ±.05 ±.010	±3/16"	±1/4"			
>24"-60"	±.1 ±.05 ±.016	±1/4"	±3/8"			
>60"+	±.1 ±.05 ±.031	±3/8"	±1/2"			
ANGLES: ± 2.5°					DRAWN BY:	
THIRD ANGLE PROJECTION					CHECKED BY:	
					PROPRIETARY AND CONFIDENTIAL THE INFORMATION CONTAINED IN THIS DRAWING IS THE SOLE PROPERTY OF RECOVERED ENERGY, INC. ANY REPRODUCTION IN PART OR AS A WHOLE WITHOUT THE WRITTEN PERMISSION OF RECOVERED ENERGY, INC. IS PROHIBITED.	
					P.O. #:	REV
SIZE: D 1SWX1 SCALE: N.T.S.					MS4-M-100-5 ?	
					TOTAL SHEETS: 10	

8

7

6

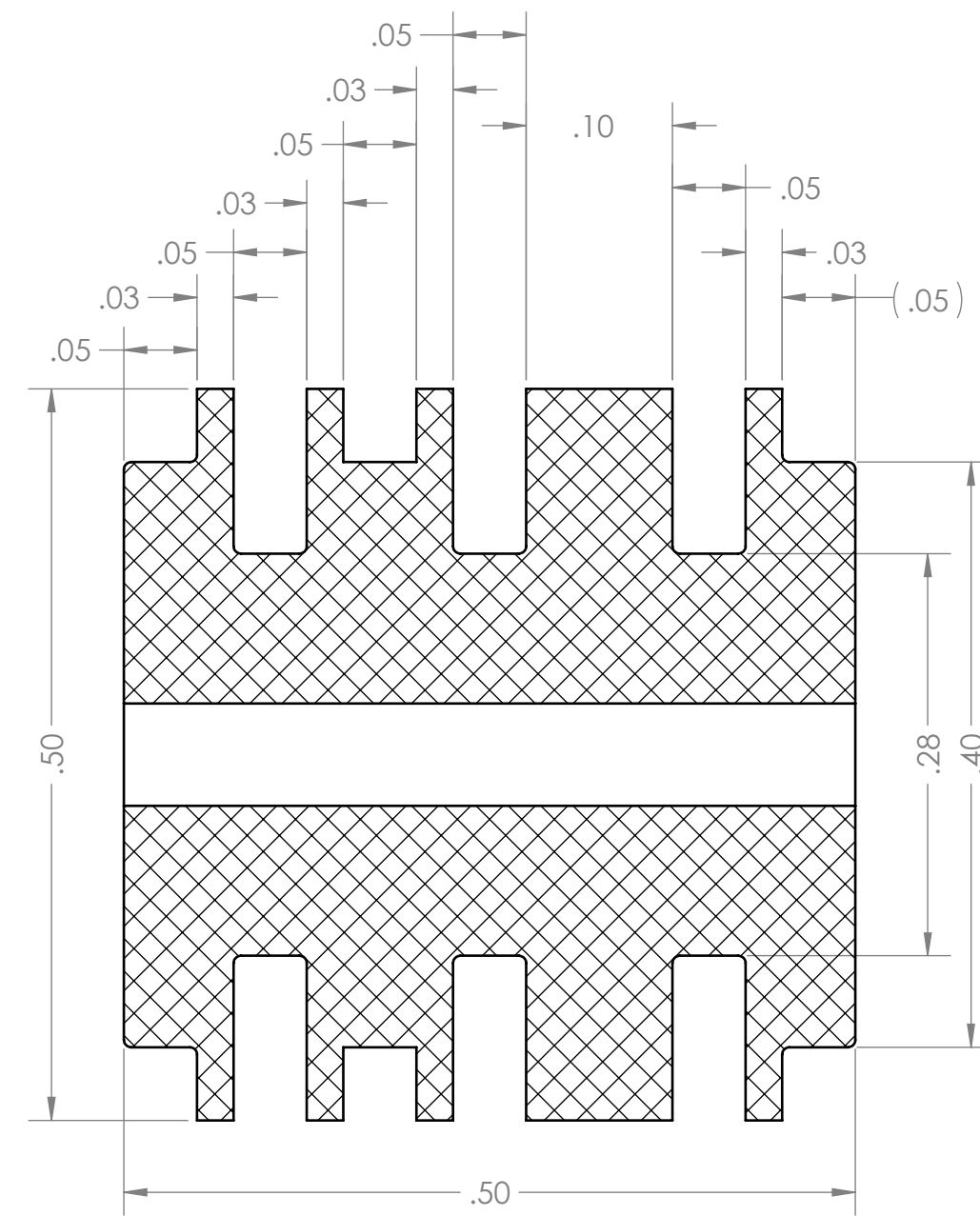
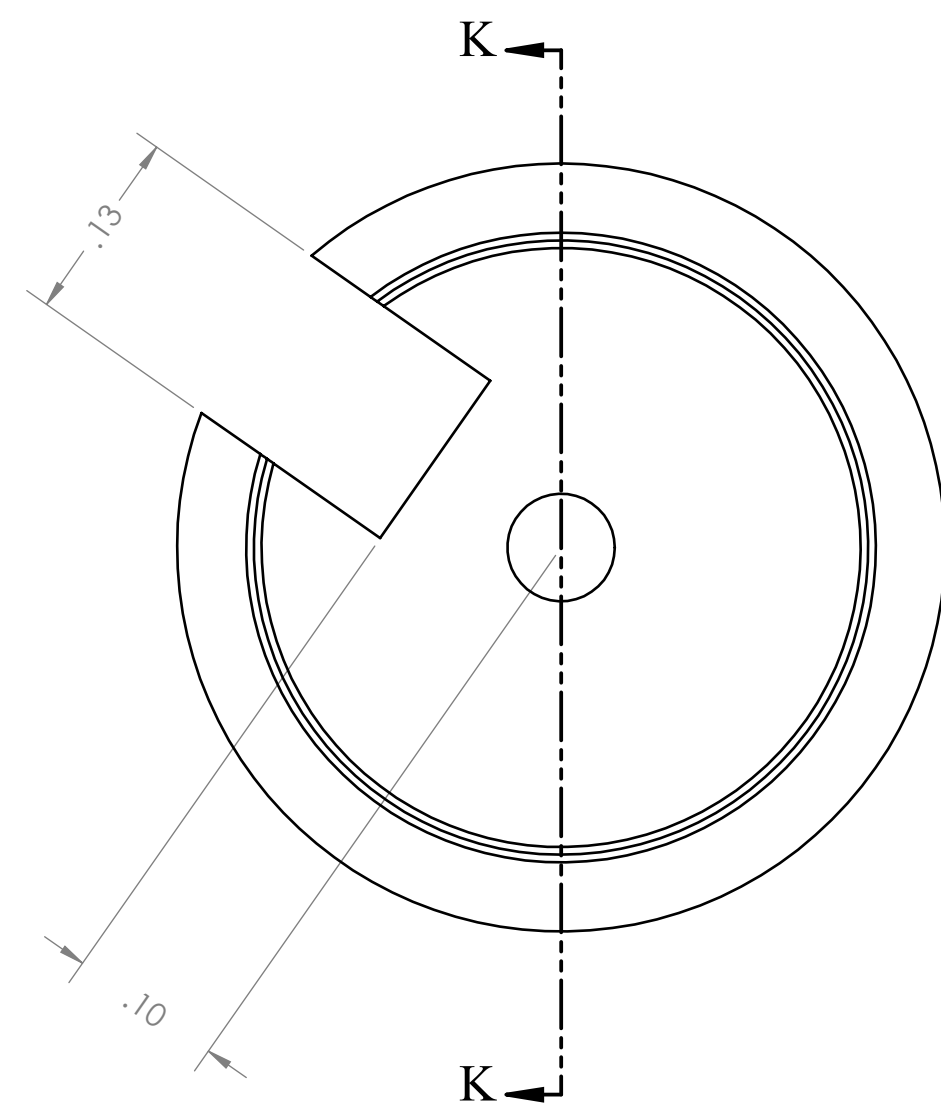
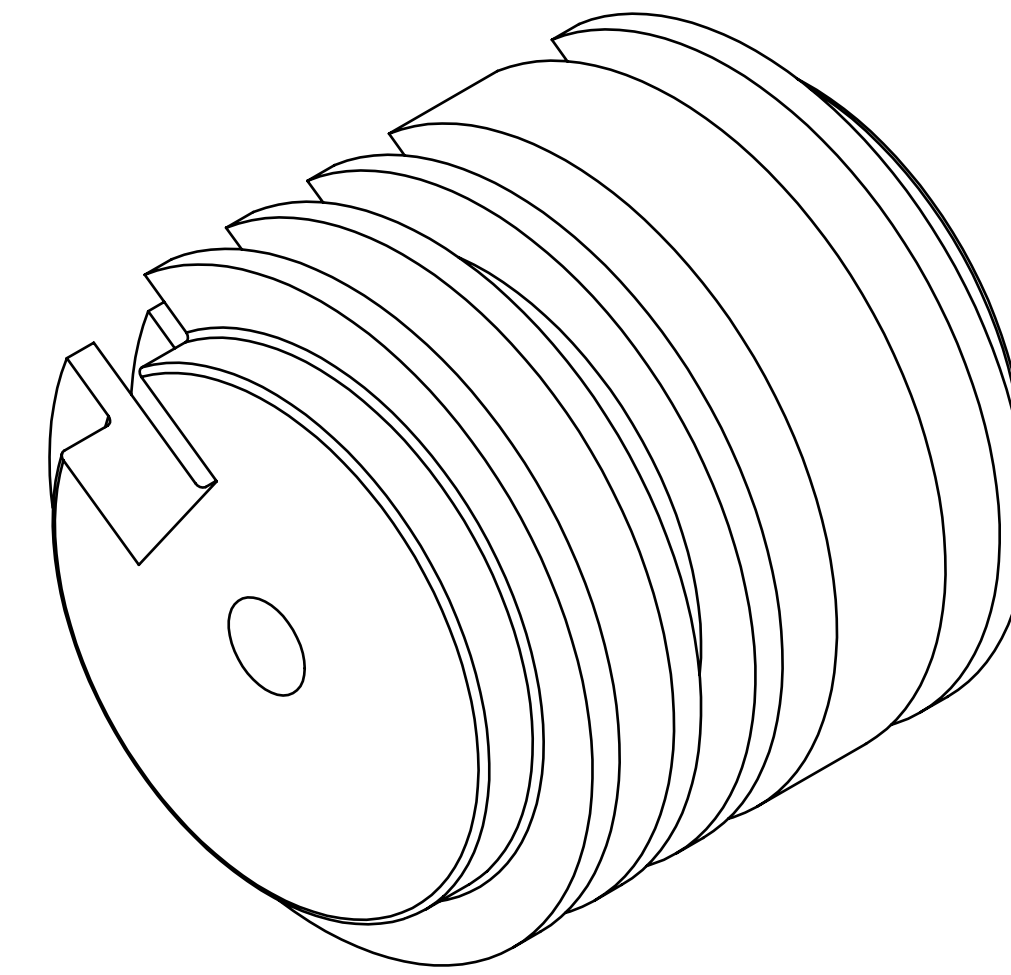
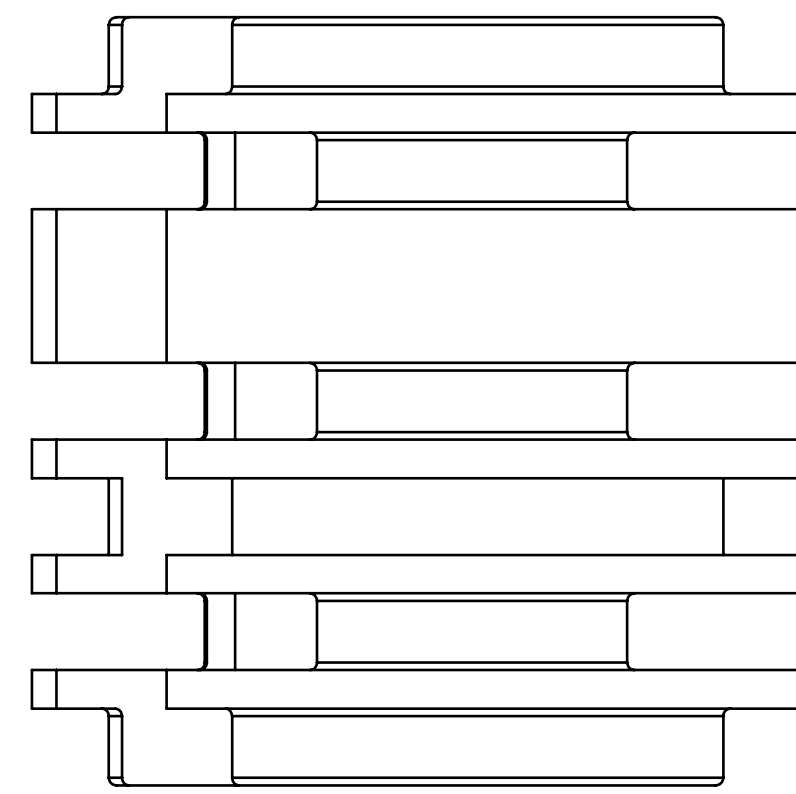
5

4

3

2

1



SECTION K-K

UNLESS OTHERWISE SPECIFIED					APPROVALS	DATE
DIMENSIONS ARE IN INCHES					P.M.	
TOLERANCES					Q.A.	
	DECIMALS	FRACTIONS		PROD.		
	.X .XX .XXX	2" < THK.	> 2" THK.	ENG.		
0-6"	±.1 ±.05 ±.010	±1/8"	±3/16"	OTHER		
>6"-24"	±.1 ±.05 ±.010	±3/16"	±1/4"			
>24"-60"	±.1 ±.05 ±.016	±1/4"	±3/8"			
>60"+	±.1 ±.05 ±.031	±3/8"	±1/2"			
ANGLES: ± 2.5°					DRAWN BY:	
THIRD ANGLE PROJECTION					CHECKED BY:	
					PROPRIETARY AND CONFIDENTIAL THE INFORMATION CONTAINED IN THIS DRAWING IS THE SOLE PROPERTY OF RECOVERED ENERGY, INC. ANY REPRODUCTION IN PART OR AS A WHOLE WITHOUT THE WRITTEN PERMISSION OF RECOVERED ENERGY, INC. IS PROHIBITED.	
					P.O. #:	REV
					SIZE	MS4-M-100-6
					CAGE CODE	?
					SCALE: N.T.S.	TOTAL SHEETS: 10

8

7

6

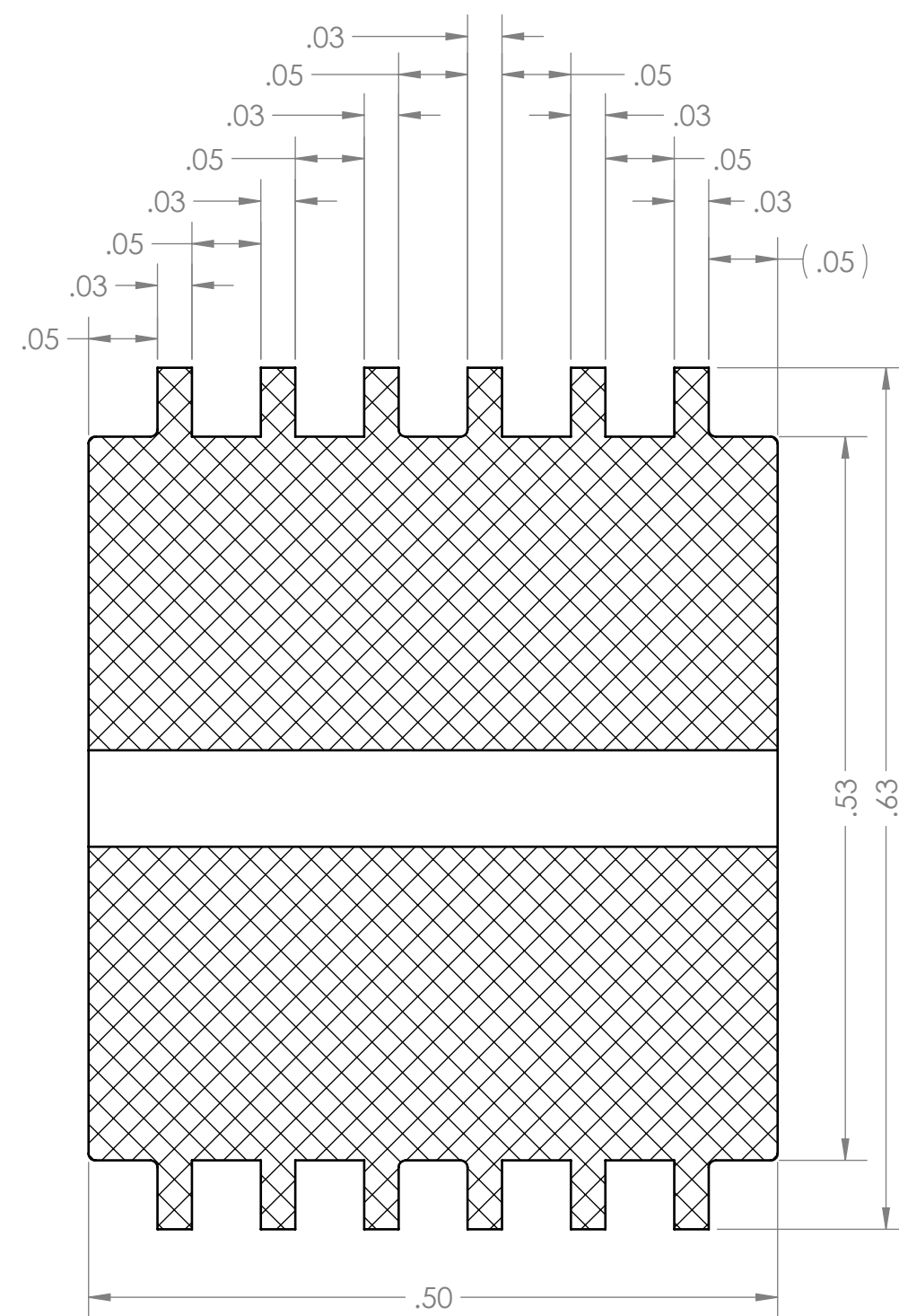
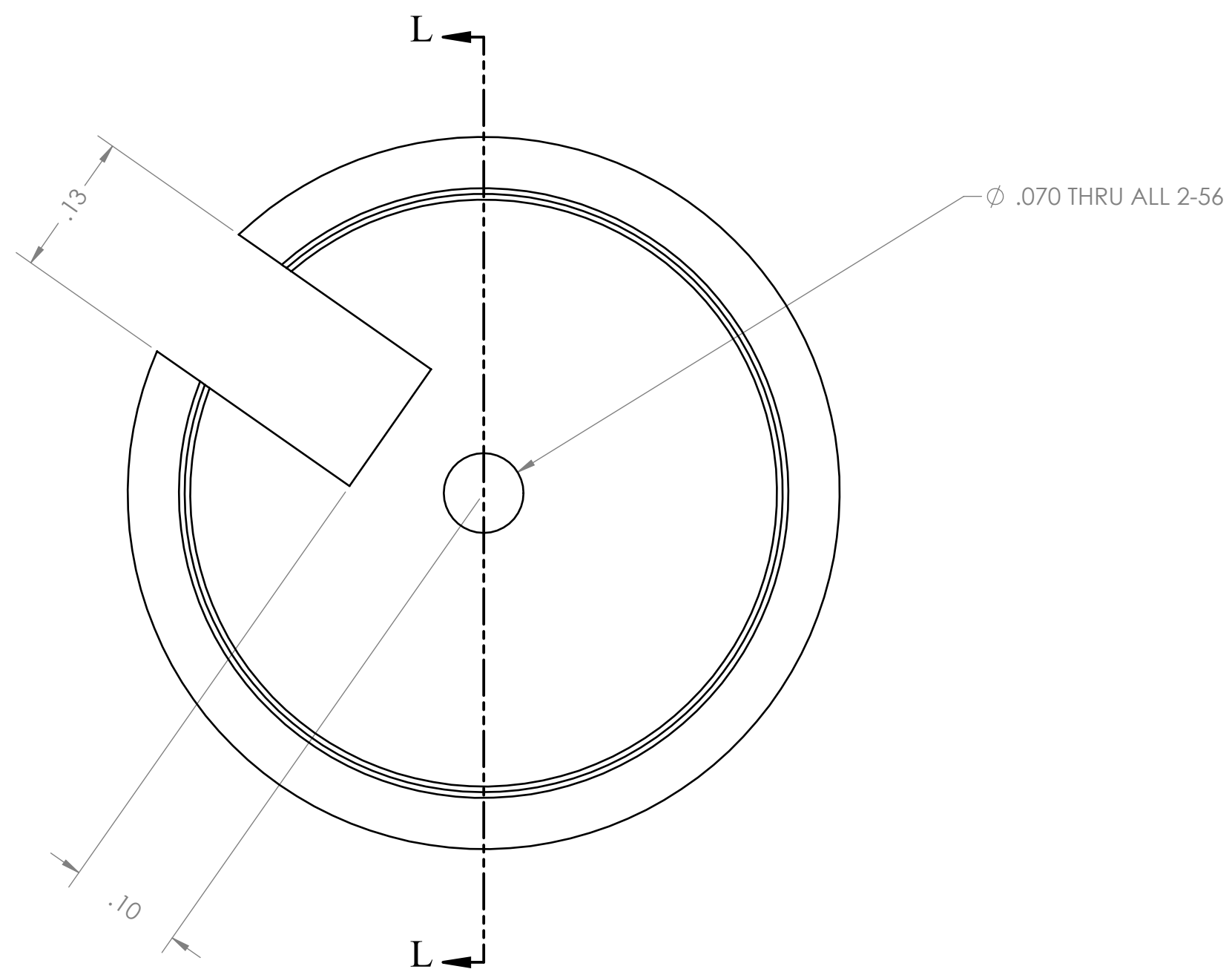
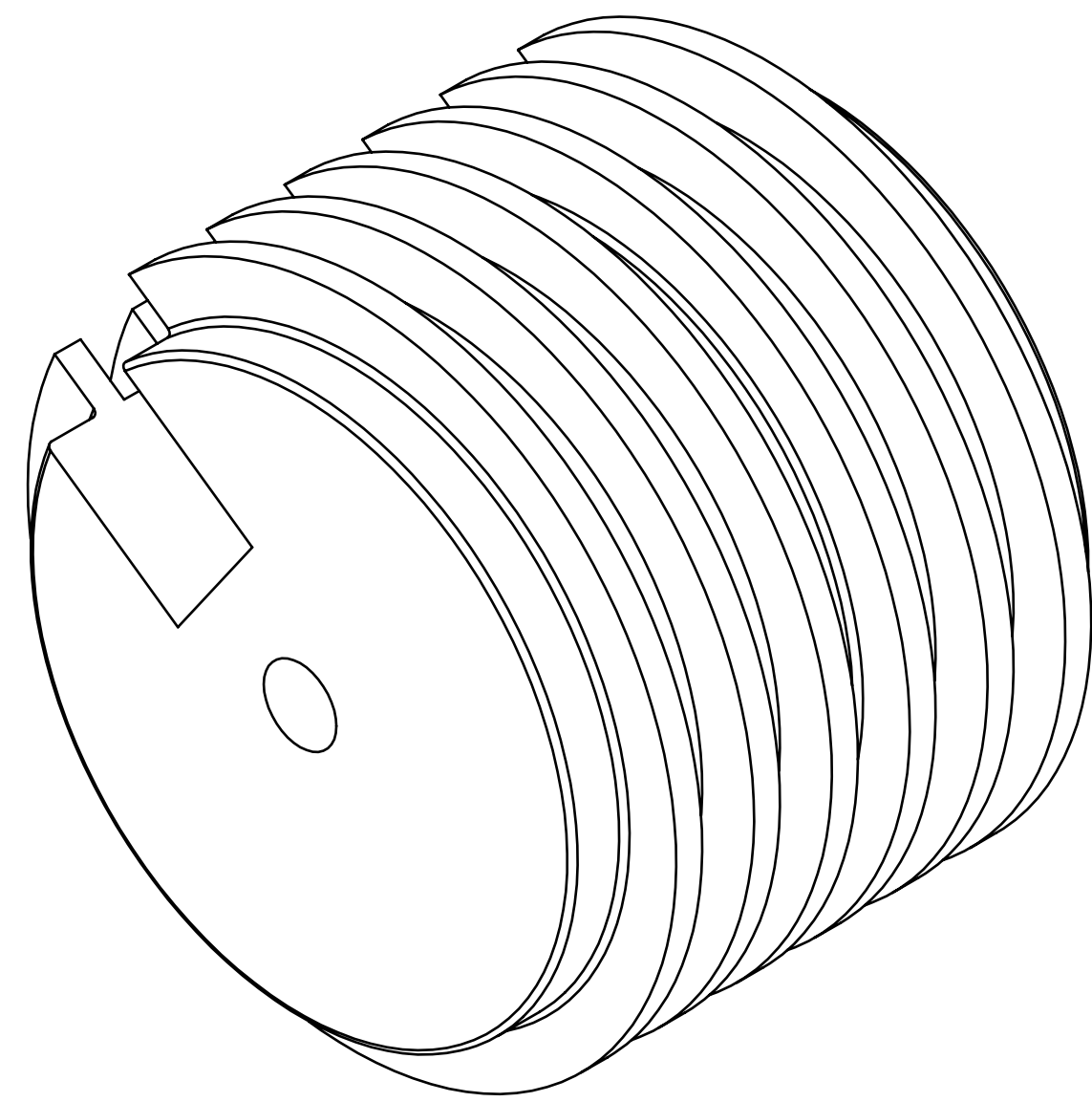
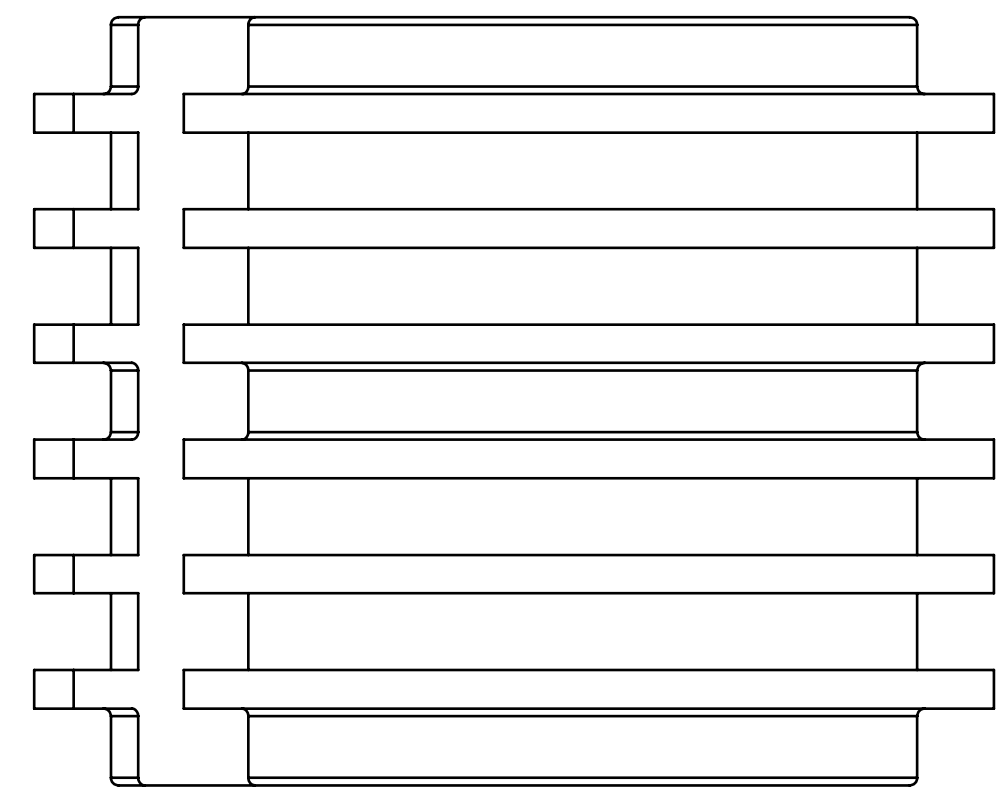
5

4

3

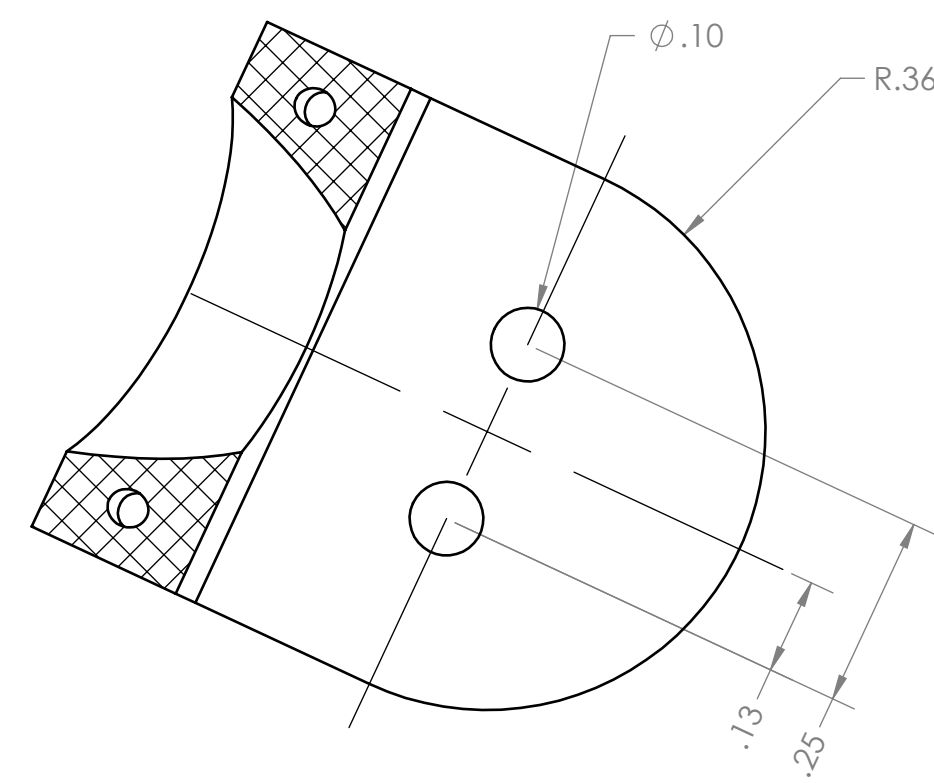
2

1

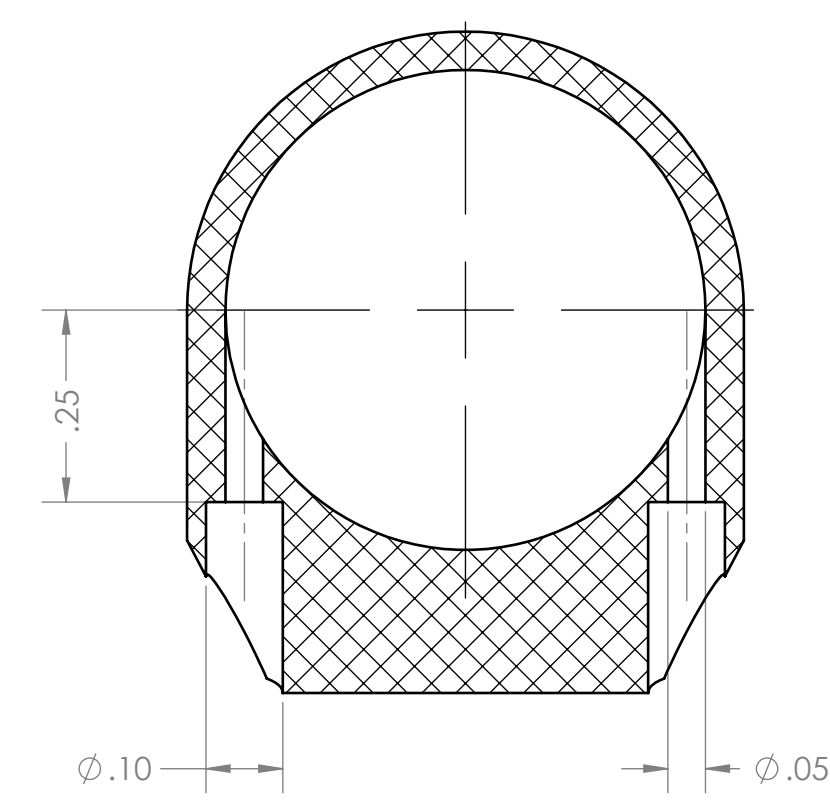
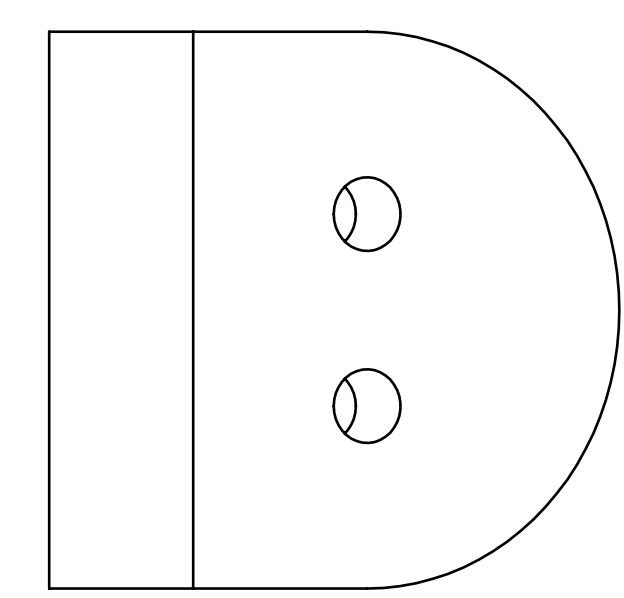


SECTION L-L

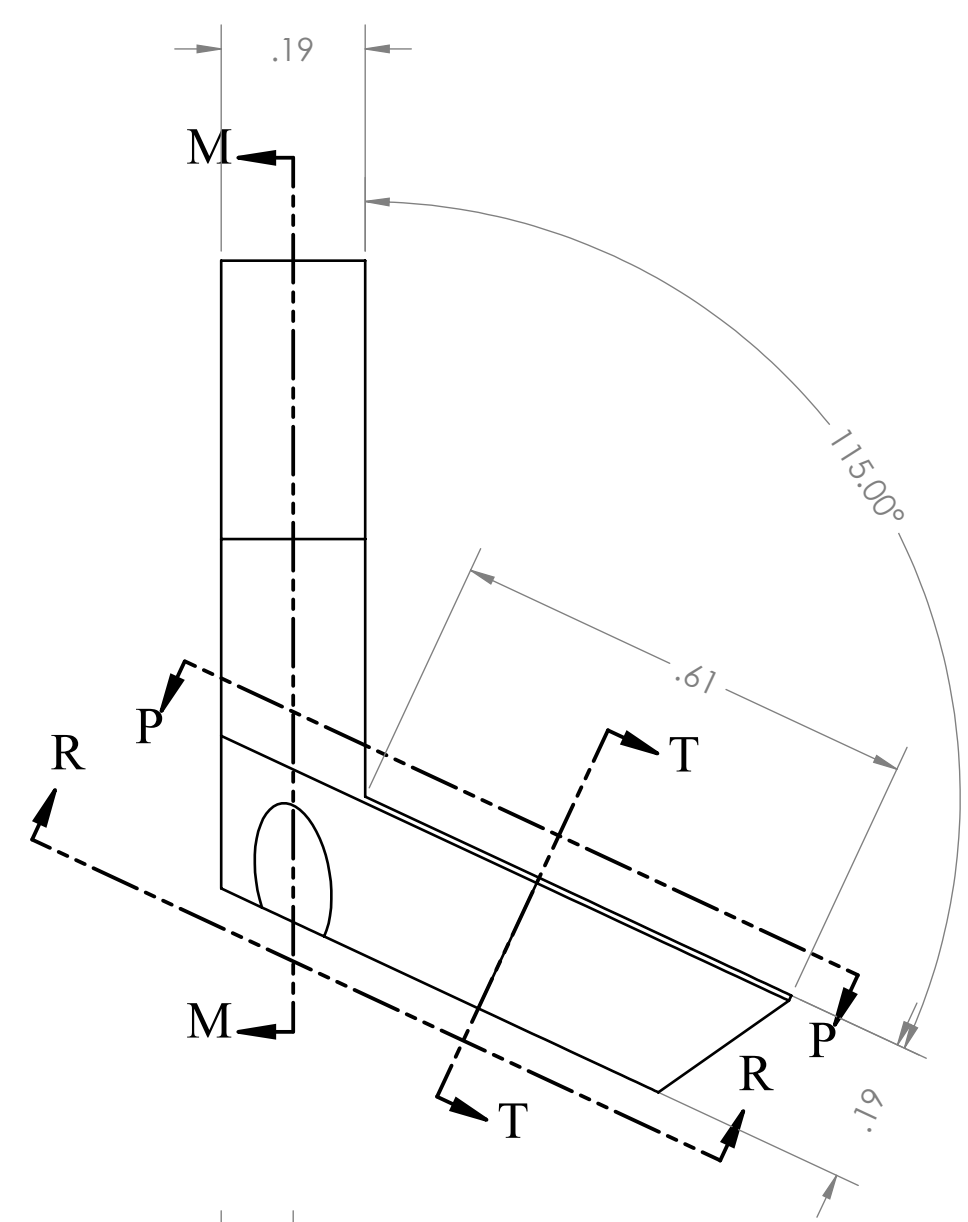
UNLESS OTHERWISE SPECIFIED				APPROVALS	DATE
DIMENSIONS ARE IN INCHES				P.M.	
TOLERANCES				Q.A.	
	DECIMALS	FRACTIONS			
	.X .XX .XXX	2" < THK. > 2" THK.			
0-6"	±.1 ±.05 ±.010	±1/8" ±3/16"	PROD.		
>6"-24"	±.1 ±.05 ±.010	±3/16" ±1/4"	ENG.		
>24"-60"	±.1 ±.05 ±.016	±1/4" ±3/8"	OTHER		
>60"+	±.1 ±.05 ±.031	±3/8" ±1/2"			
ANGLES: ± 2.5°				DRAWN BY:	
THIRD ANGLE PROJECTION				CHECKED BY:	
				PROPRIETARY AND CONFIDENTIAL THE INFORMATION CONTAINED IN THIS DRAWING IS THE SOLE PROPERTY OF RECOVERED ENERGY, INC. ANY REPRODUCTION IN PART OR AS A WHOLE WITHOUT THE WRITTEN PERMISSION OF RECOVERED ENERGY, INC. IS PROHIBITED.	
				P.O. #: - SIZE: CAGE CODE D 1SWX1	
				SCALE: N.T.S. MS4-M-100-7	
				REV	?
				TOTAL SHEETS: 10	



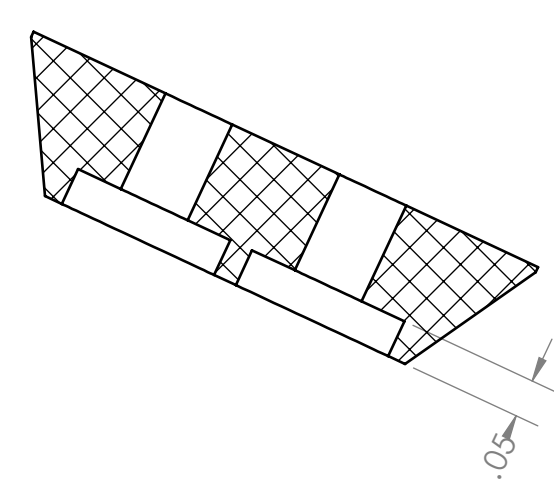
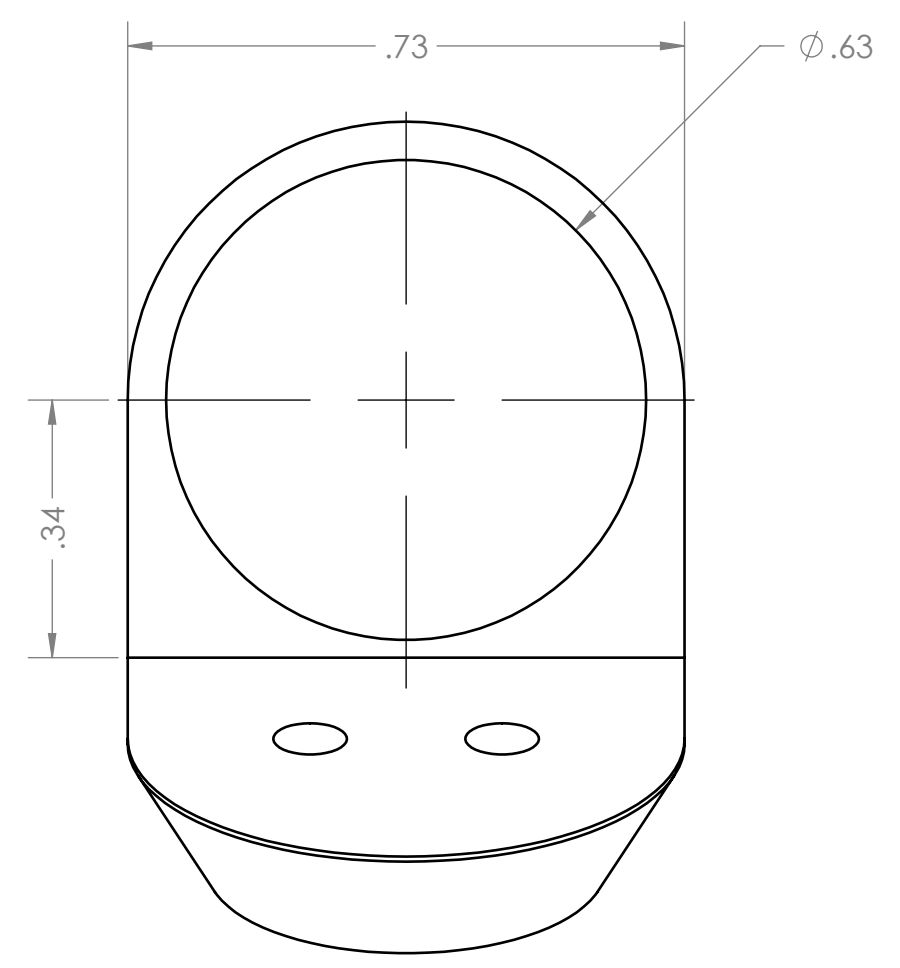
SECTION P-P



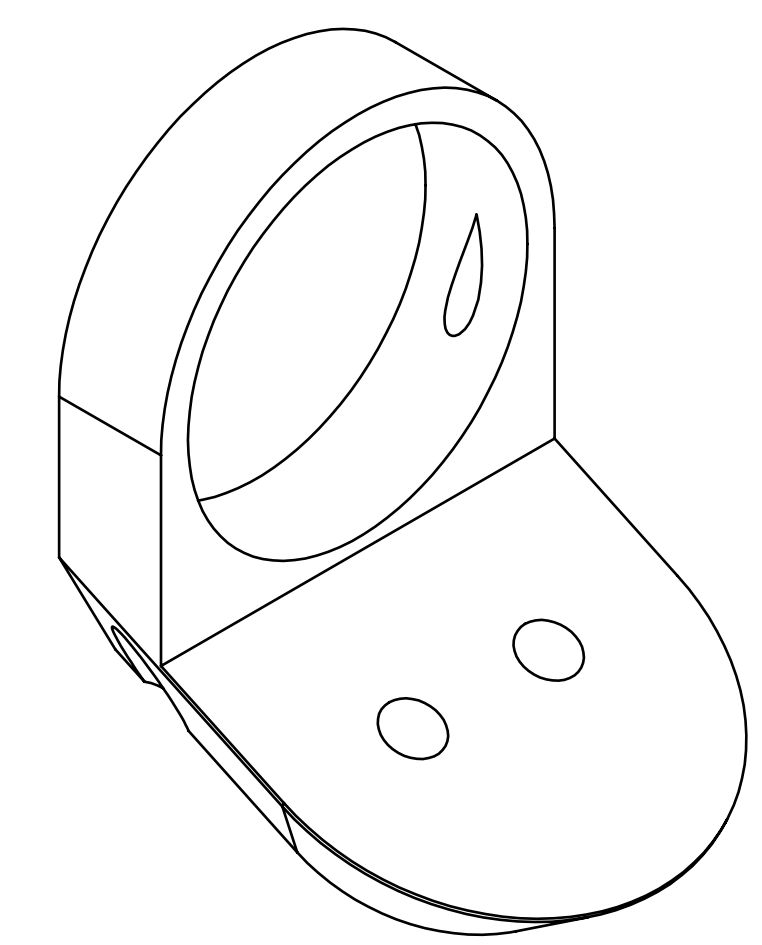
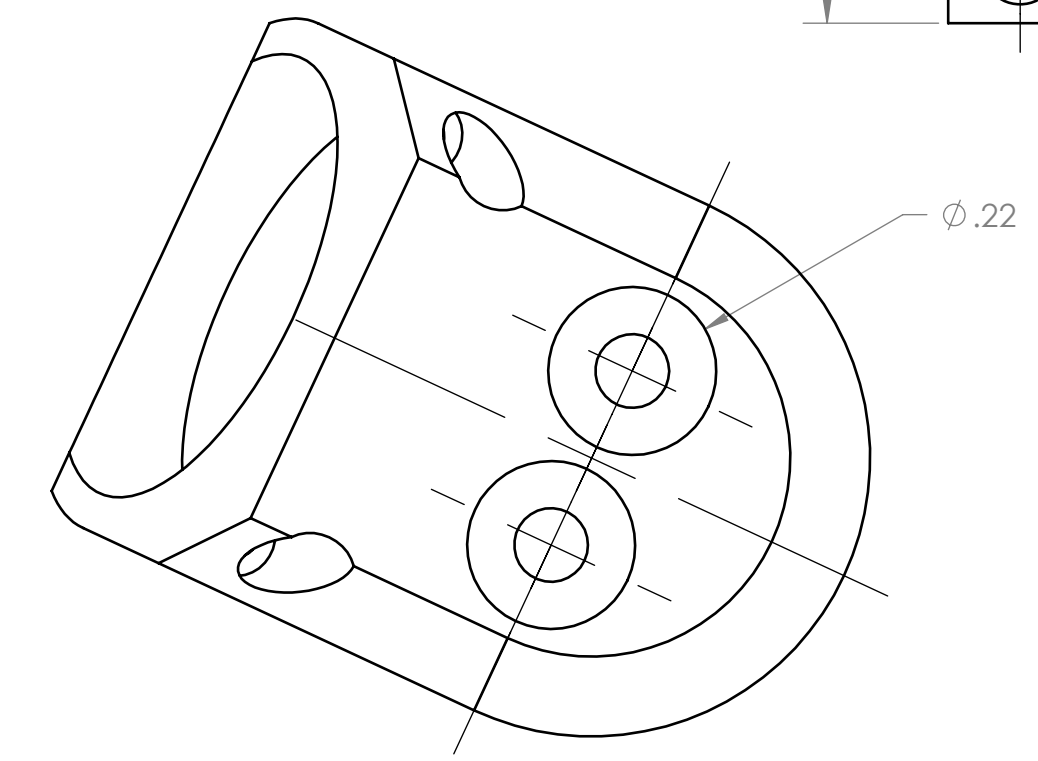
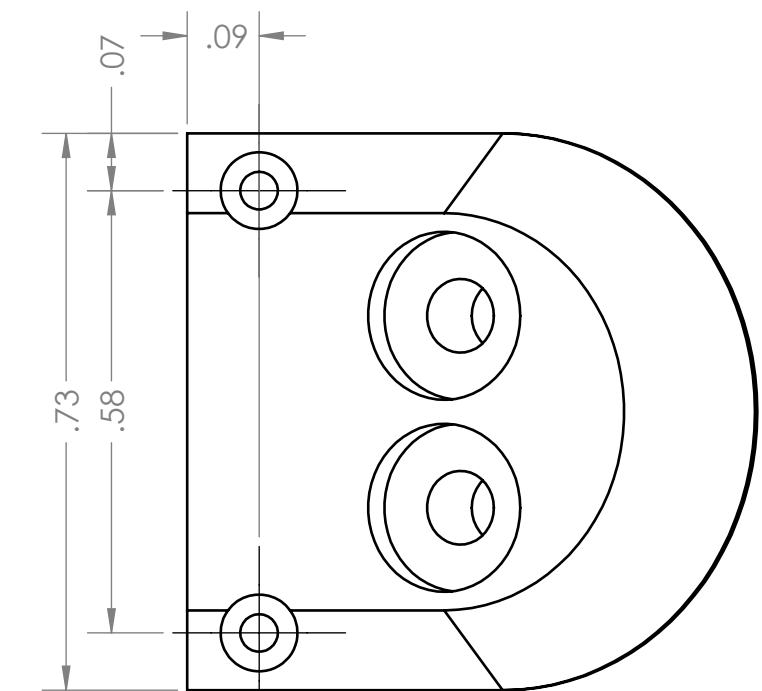
SECTION M-M



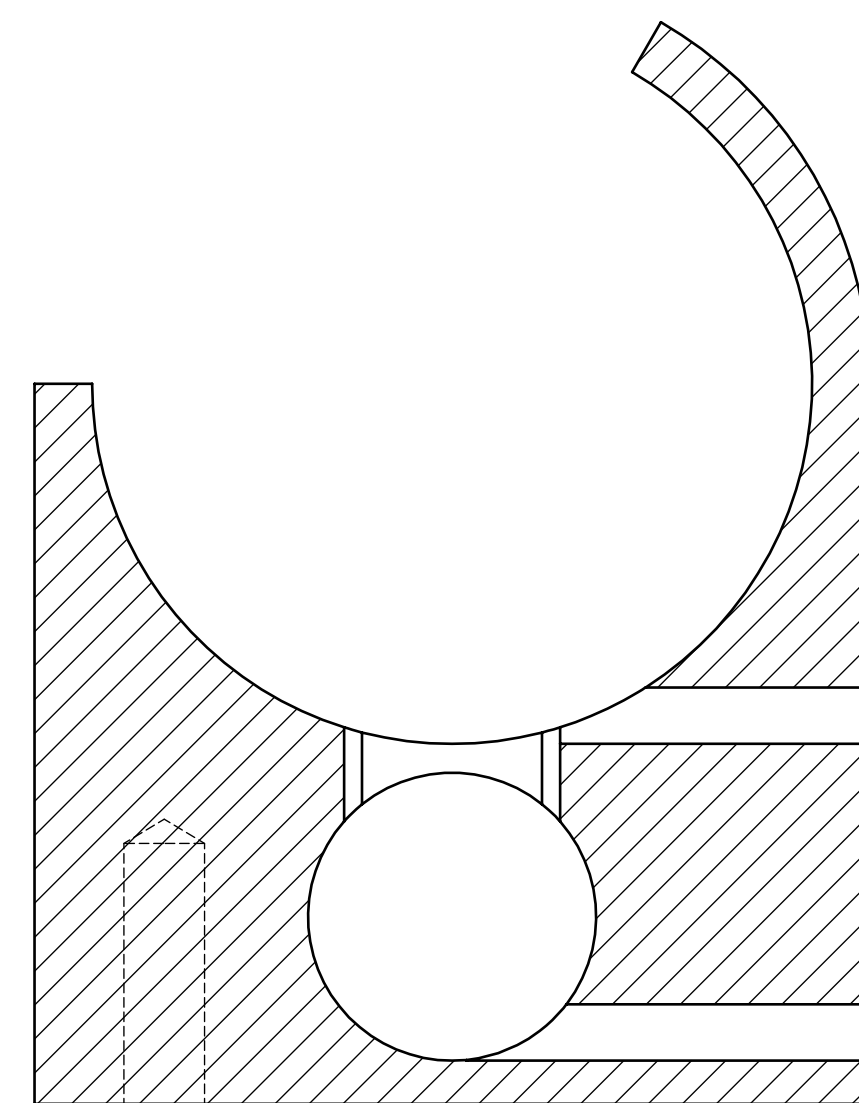
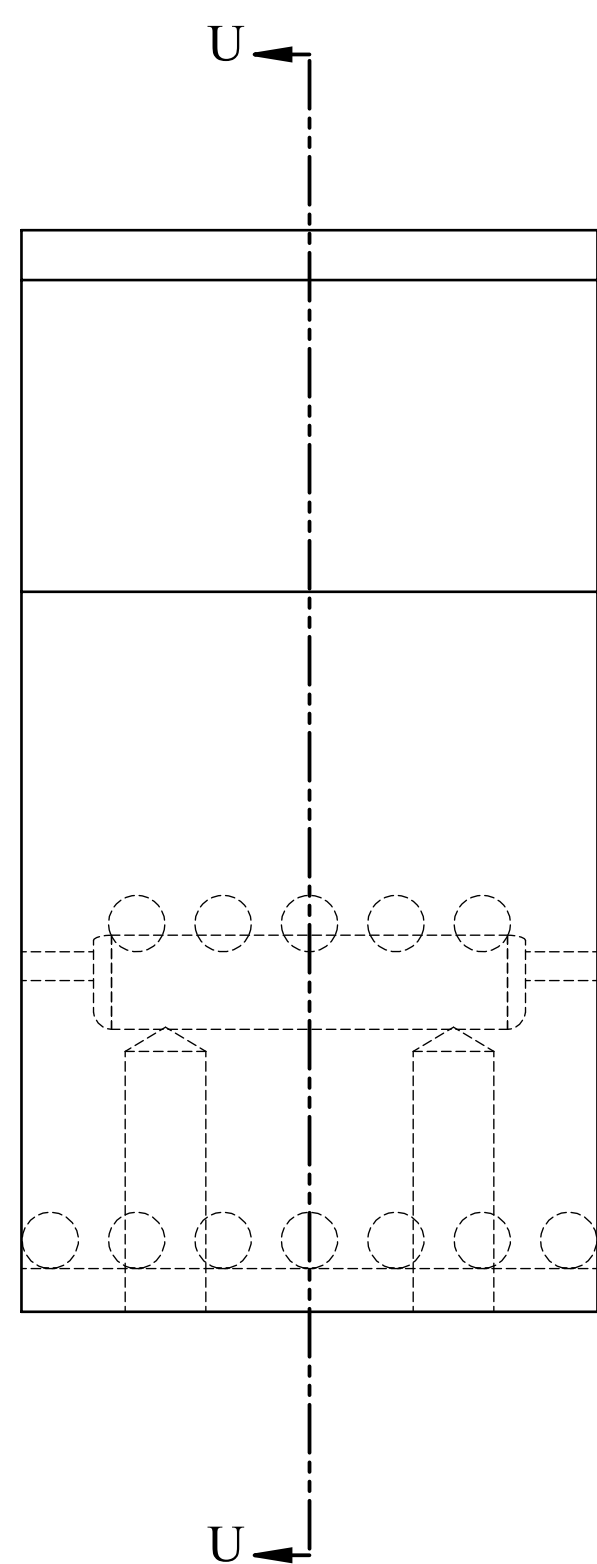
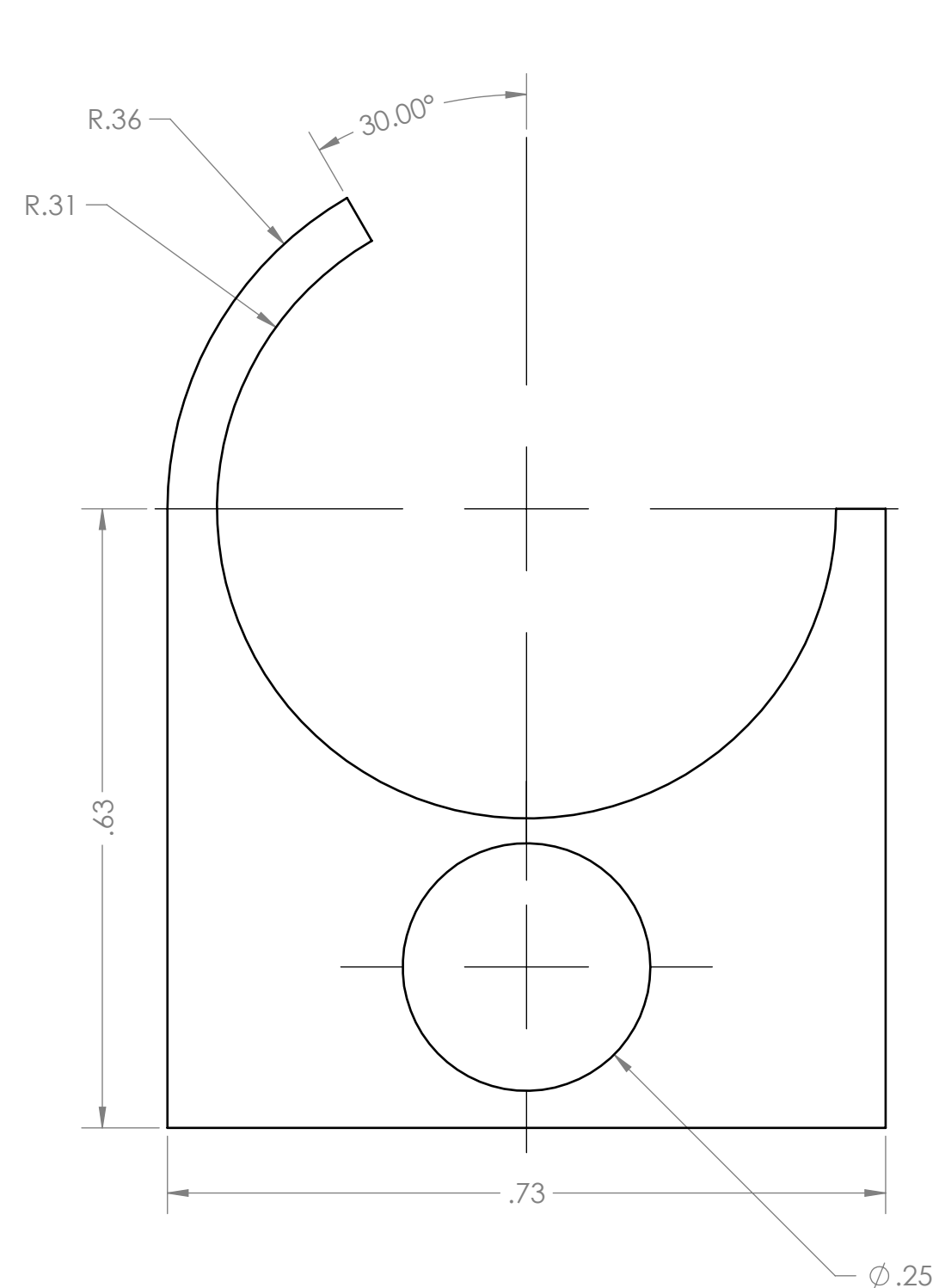
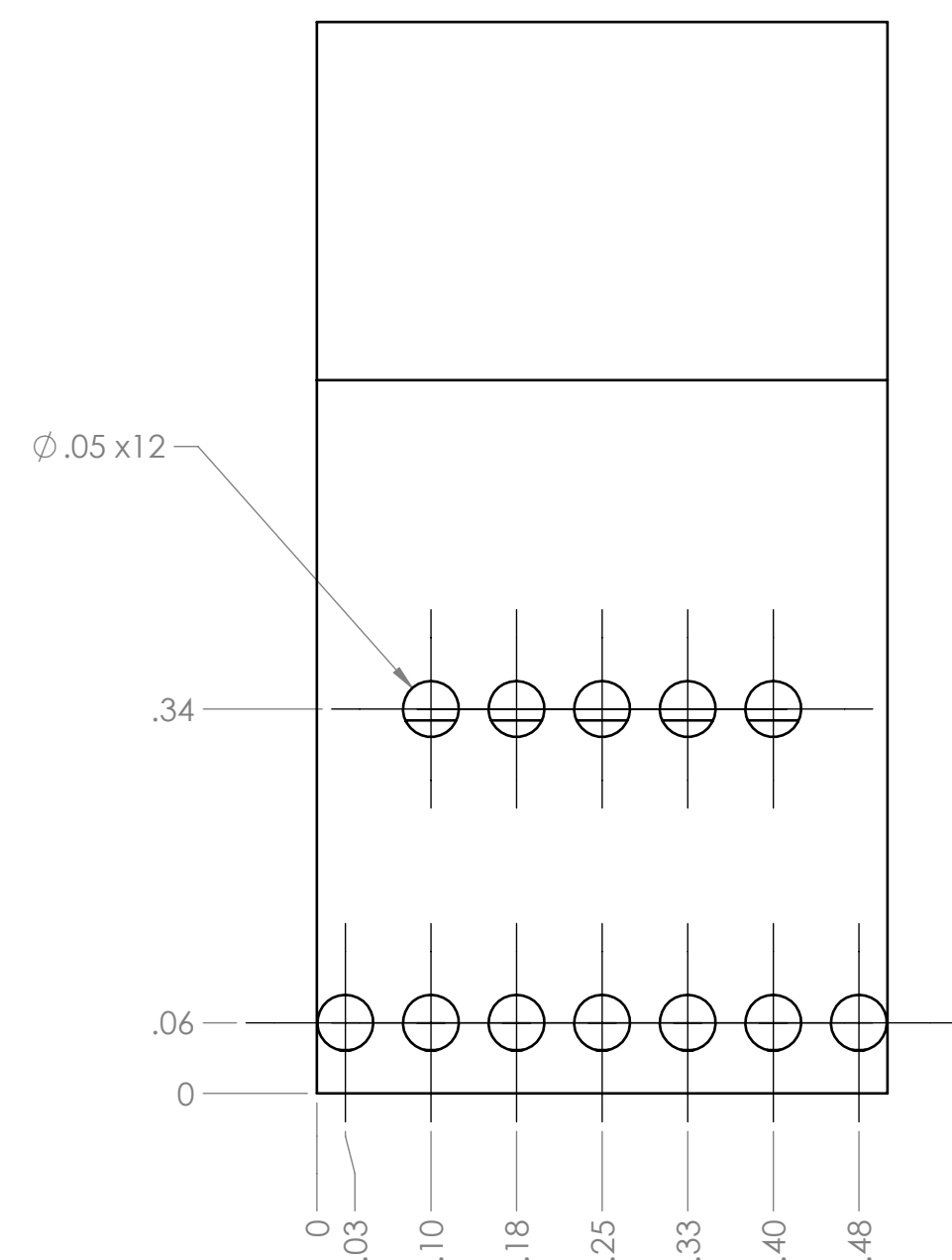
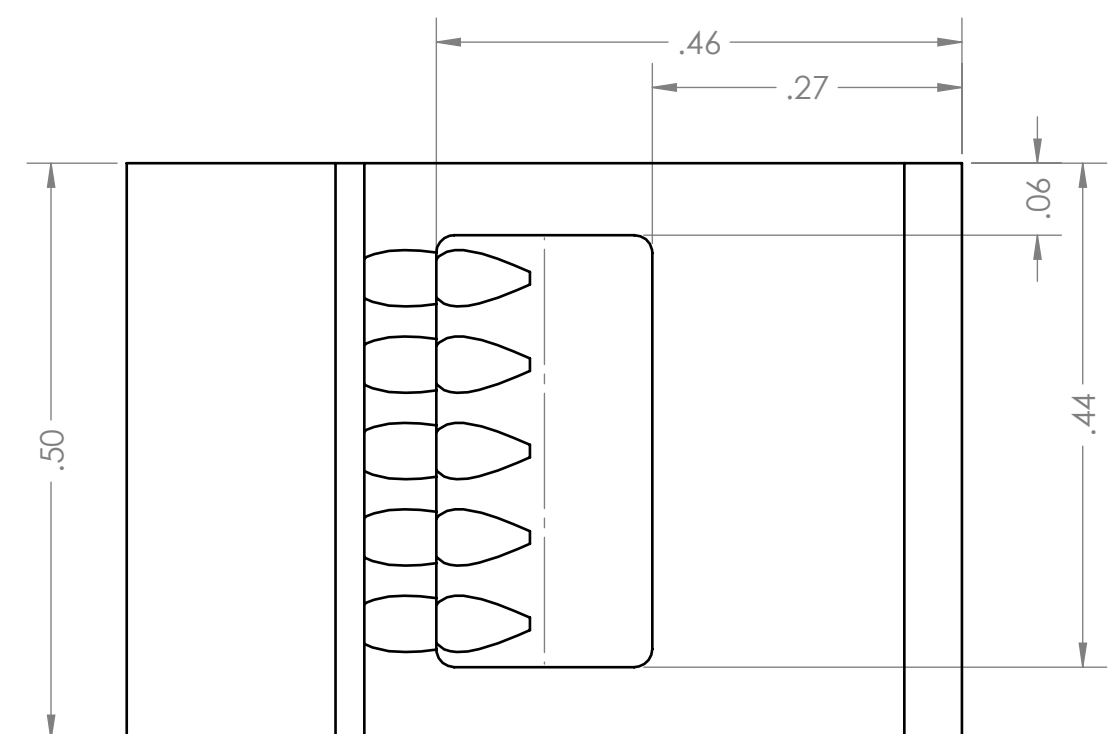
SECTION R-R



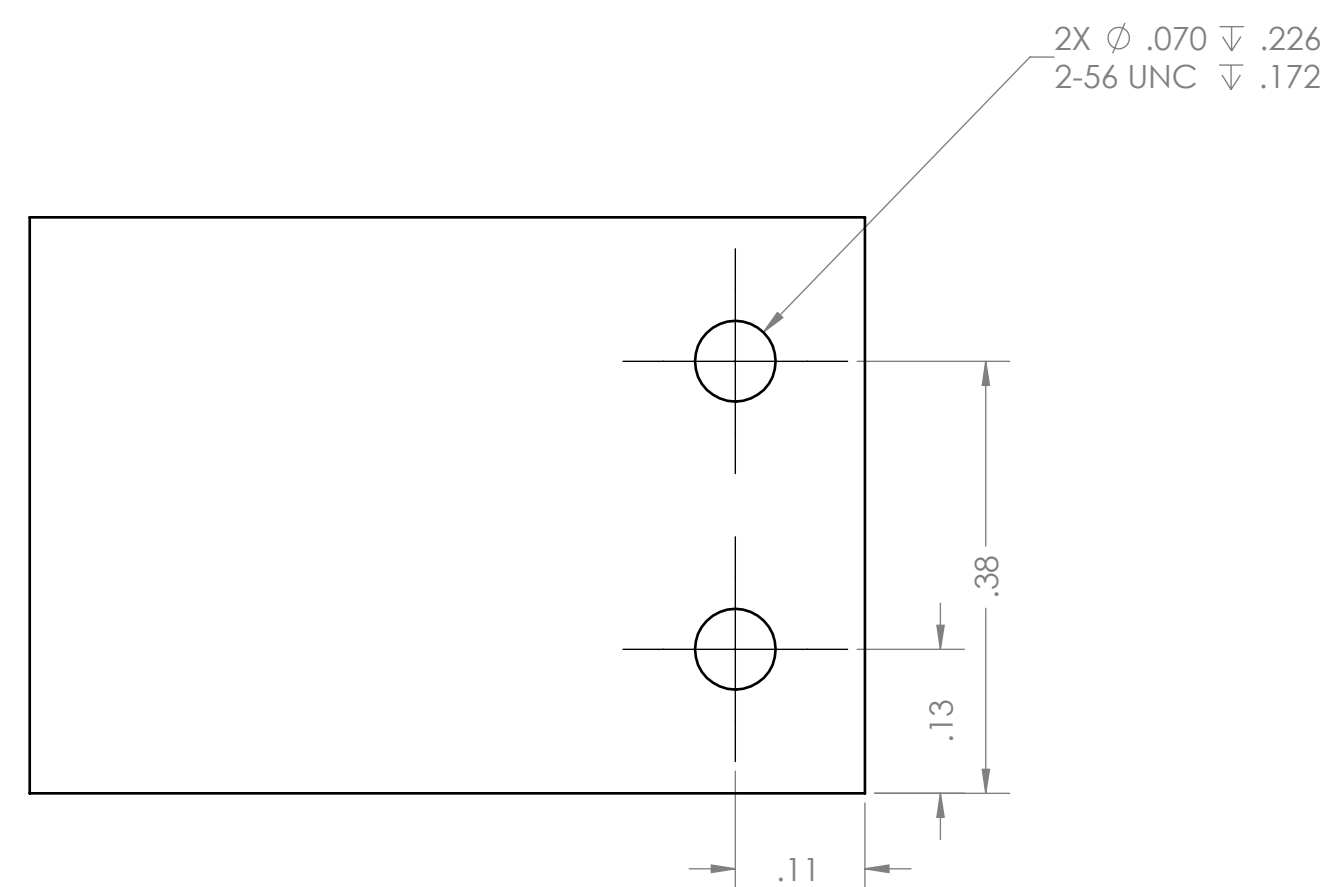
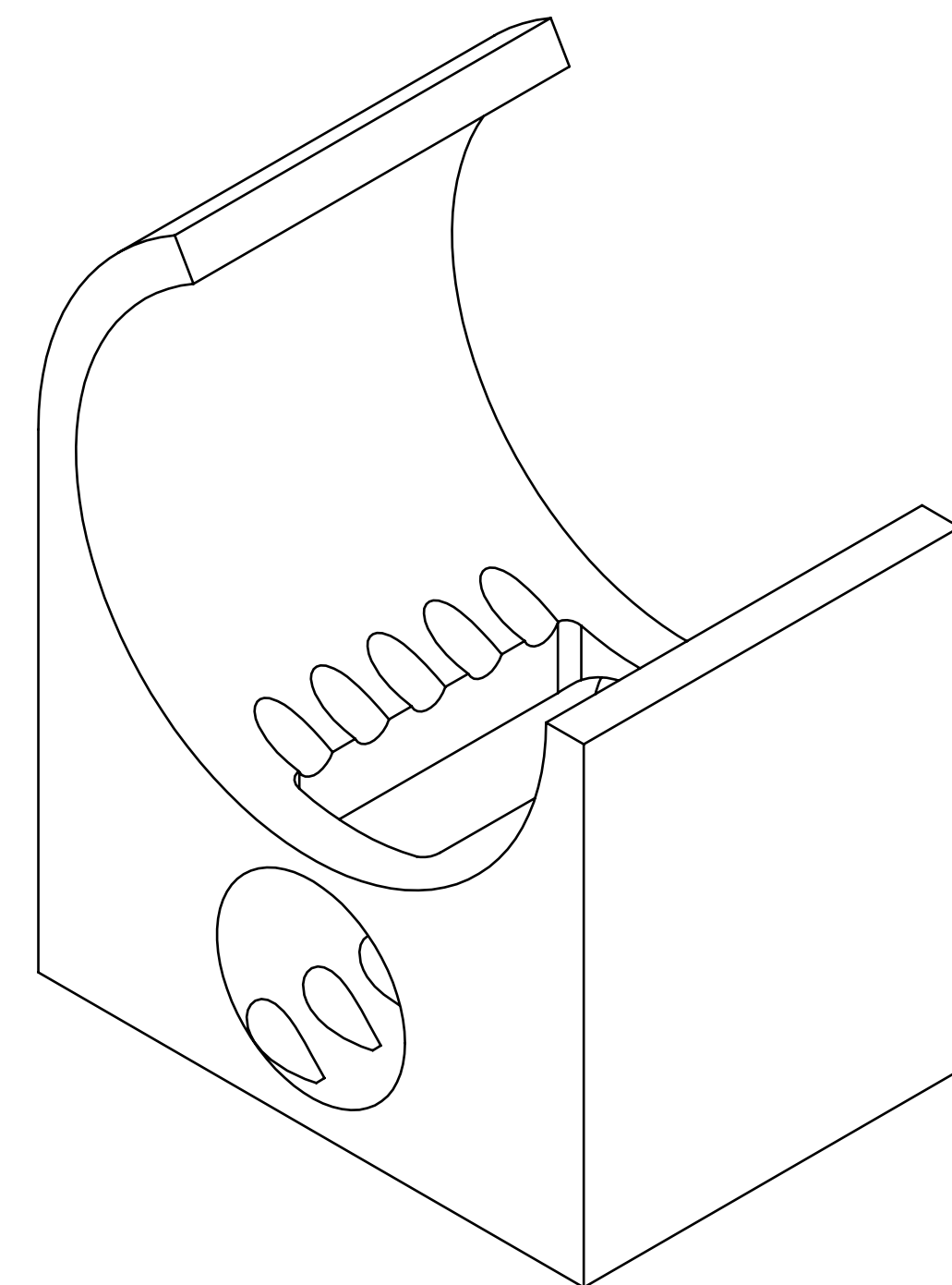
SECTION T-T



UNLESS OTHERWISE SPECIFIED					APPROVALS	DATE
DIMENSIONS ARE IN INCHES					P.M.	
TOLERANCES					Q.A.	
	DECIMALS	FRACTIONS			PROD.	
	.X .XX .XXX	2" < THK. > 2" THK.			ENG.	
0-6"	±.1 ±.05 ±.010	±1/8" ±3/16"			OTHER	
>6"-24"	±.1 ±.05 ±.010	±3/16" ±1/4"			DRAWN BY:	
>24"-60"	±.1 ±.05 ±.016	±1/4" ±3/8"			CHECKED BY:	
>60"+	±.1 ±.05 ±.031	±3/8" ±1/2"				
ANGLES: ± 2.5°						
THIRD ANGLE PROJECTION						
					PROPRIETARY AND CONFIDENTIAL THE INFORMATION CONTAINED IN THIS DRAWING IS THE SOLE PROPERTY OF RECOVERED ENERGY, INC. ANY REPRODUCTION IN PART OR AS A WHOLE WITHOUT THE WRITTEN PERMISSION OF RECOVERED ENERGY, INC. IS PROHIBITED.	
					P.O. #:	REV
					SIZE	MS4-M-100-8
					CAGE CODE	?
					SCALE: N.T.S.	TOTAL SHEETS: 10



SECTION U-U



UNLESS OTHERWISE SPECIFIED				APPROVALS		DATE
DIMENSIONS ARE IN INCHES				P.M.		
TOLERANCES				Q.A.		
	DECIMALS	FRACTIONS				
	.X .XX .XXX	2" < THK. > 2" THK.				
0-.6"	$\pm .1$ $\pm .05$ $\pm .010$	$\pm 1/8"$ $\pm 3/16"$				
>.6"-24"	$\pm .1$ $\pm .05$ $\pm .010$	$\pm 3/16"$ $\pm 1/4"$				
>24"-60"	$\pm .1$ $\pm .05$ $\pm .016$	$\pm 1/4"$ $\pm 3/8"$				
>60"+	$\pm .1$ $\pm .05$ $\pm .031$	$\pm 3/8"$ $\pm 1/2"$				
ANGLES: $\pm 2.5^\circ$				DRAWN BY:		
THIRD ANGLE PROJECTION				CHECKED BY:		
				PROPRIETARY AND CONFIDENTIAL THE INFORMATION CONTAINED IN THIS DRAWING IS THE SOLE PROPERTY OF RECOVERED ENERGY, INC. ANY REPRODUCTION IN PART OR AS A WHOLE WITHOUT THE WRITTEN PERMISSION OF RECOVERED ENERGY, INC. IS PROHIBITED.		P.O. #:
						SCALE: N.T.S.
						SIZE: D CAGE CODE: 1SWX1 MS4-M-100-9 REV: ?
				TOTAL SHEETS: 10		

8

7

6

5

4

3

2

1

D

D

C

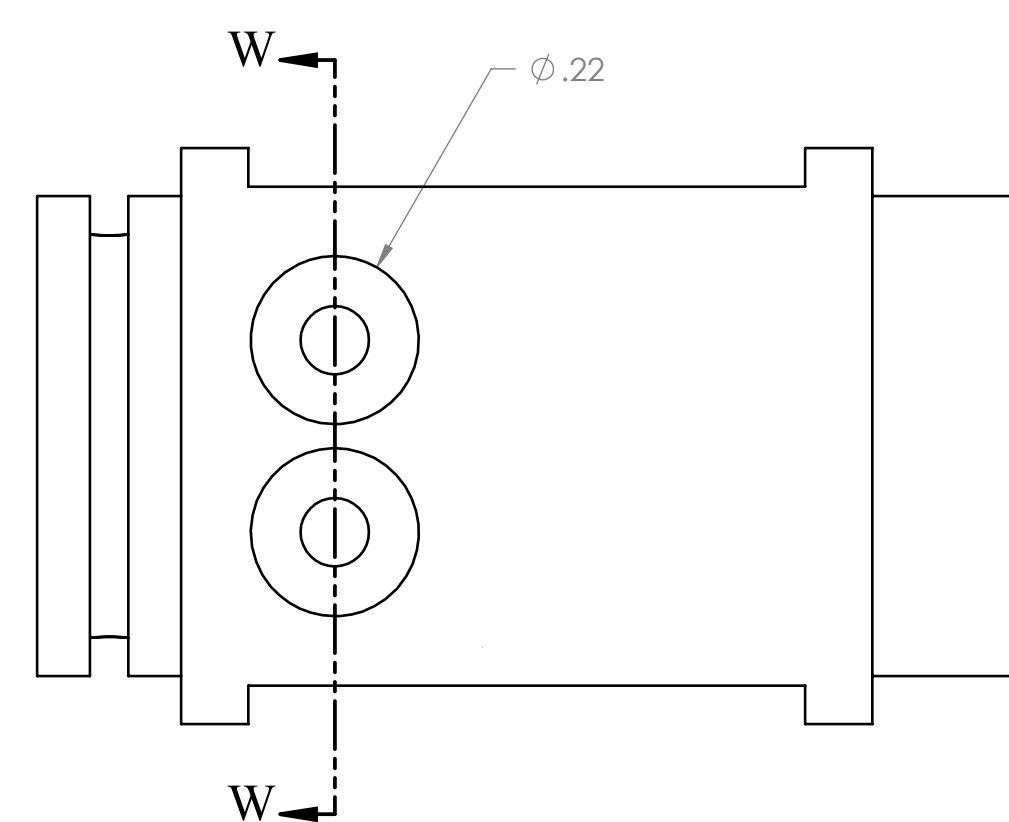
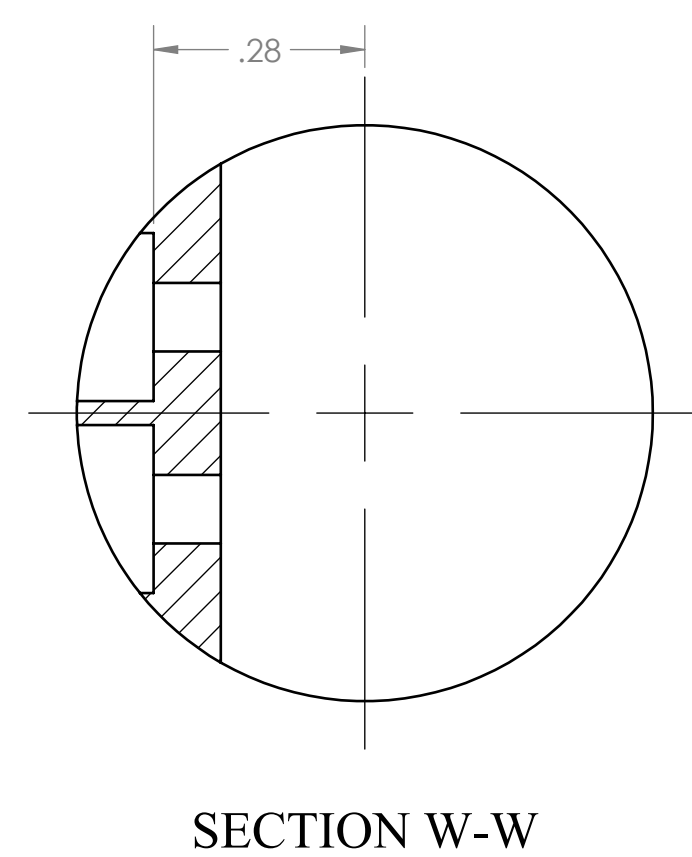
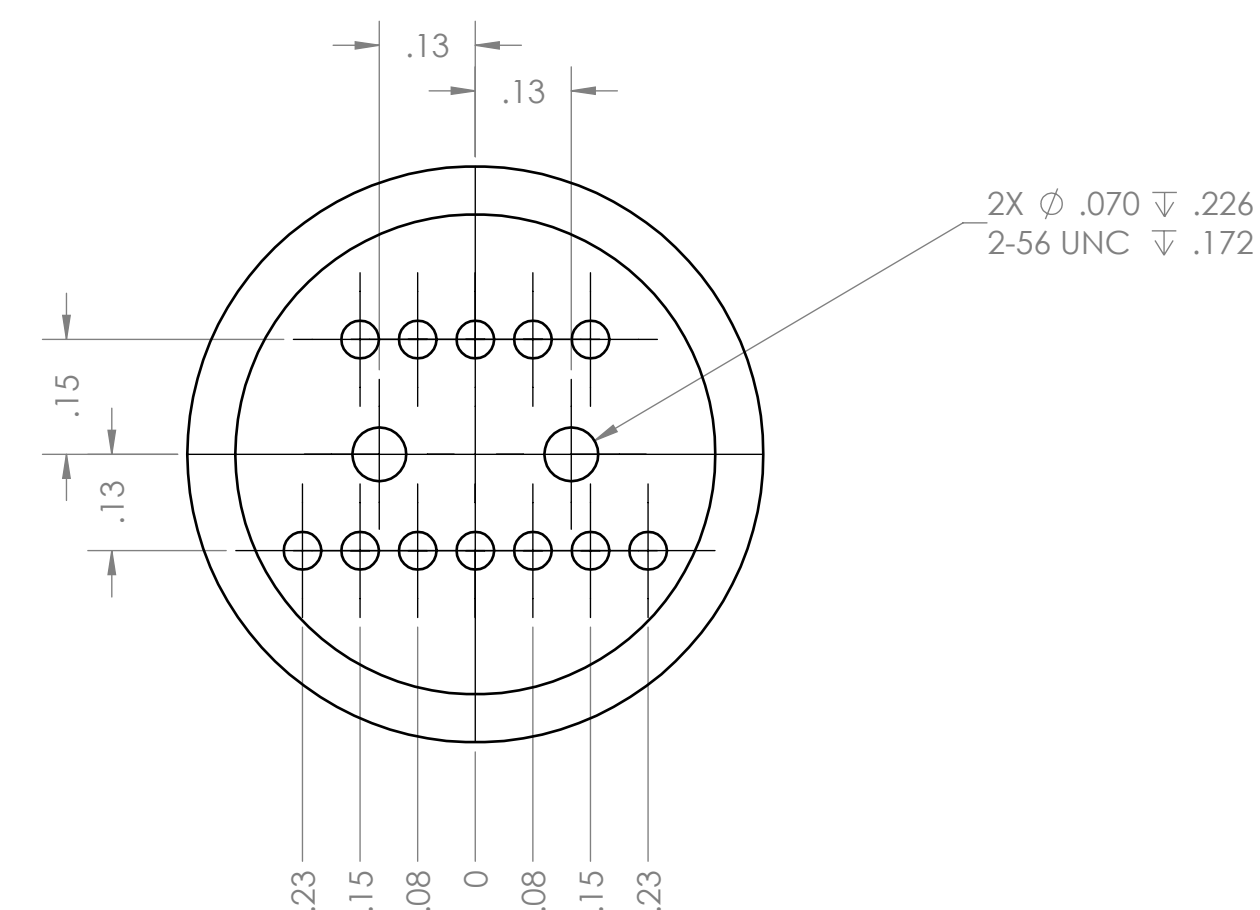
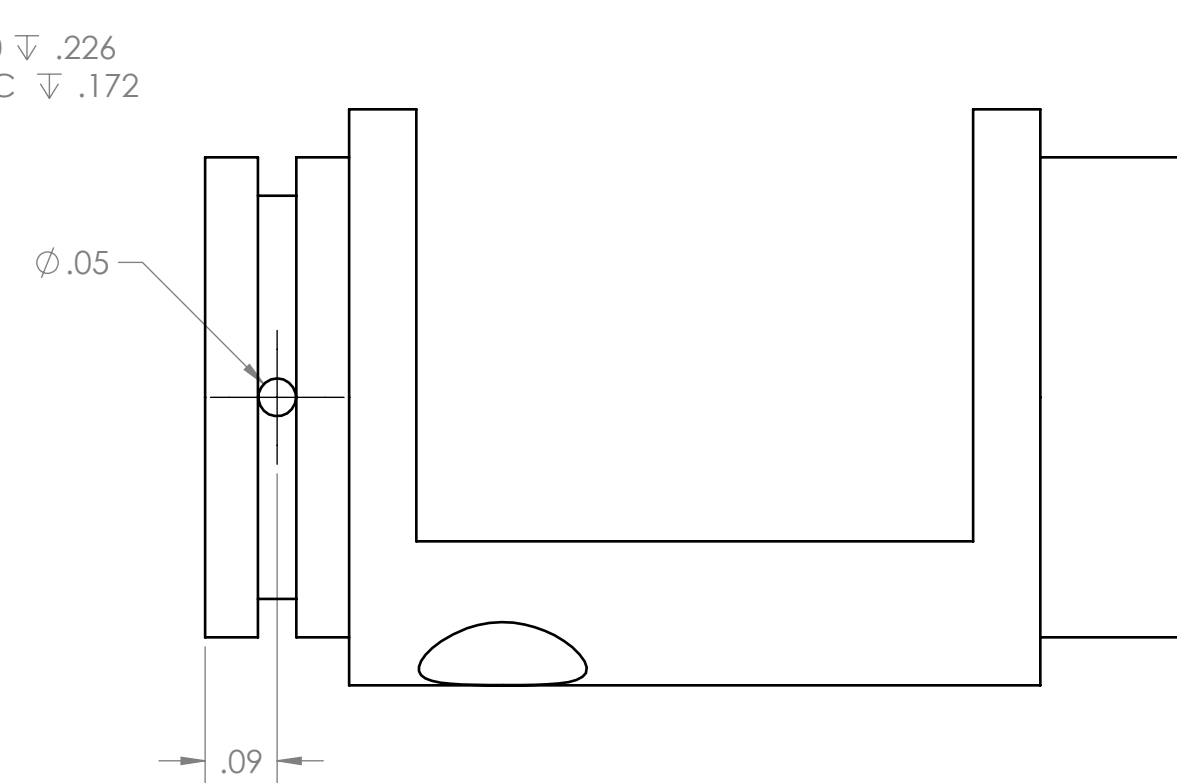
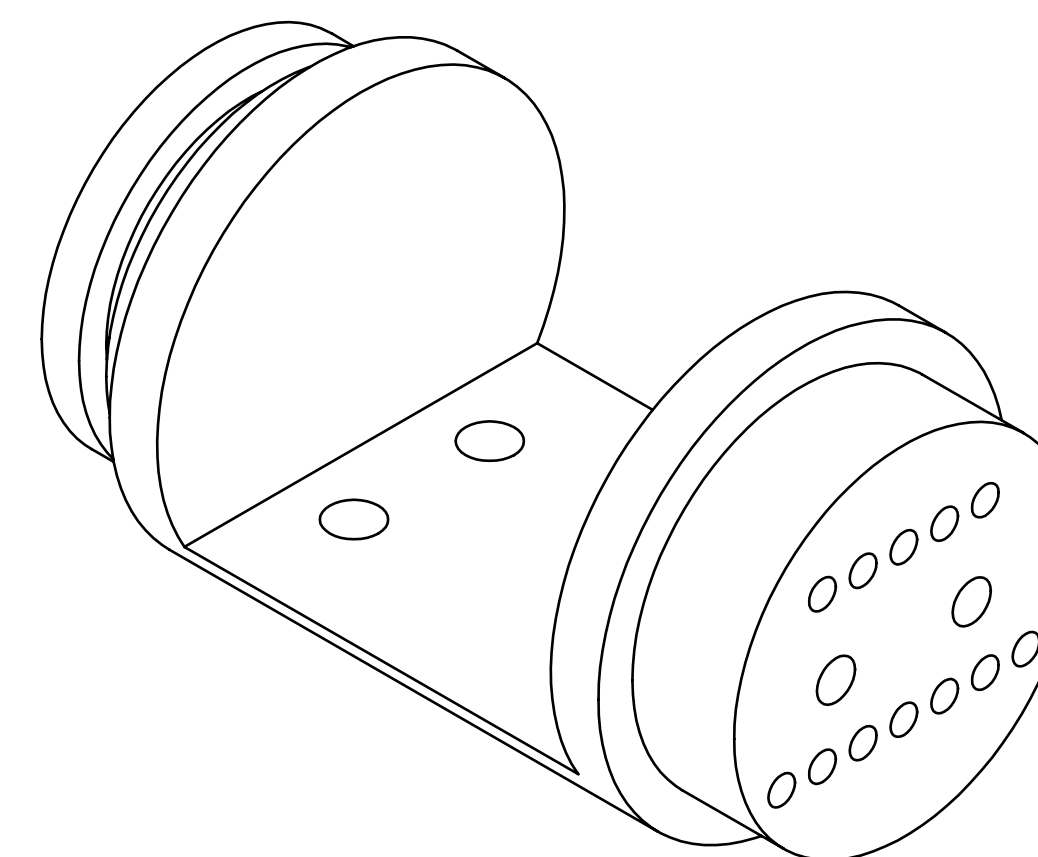
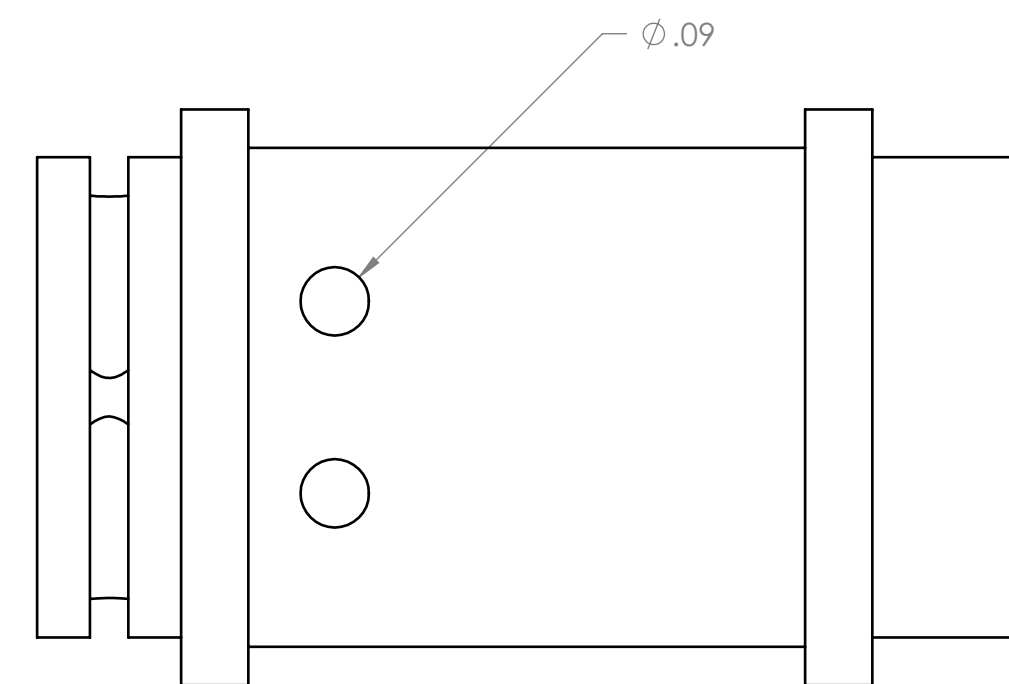
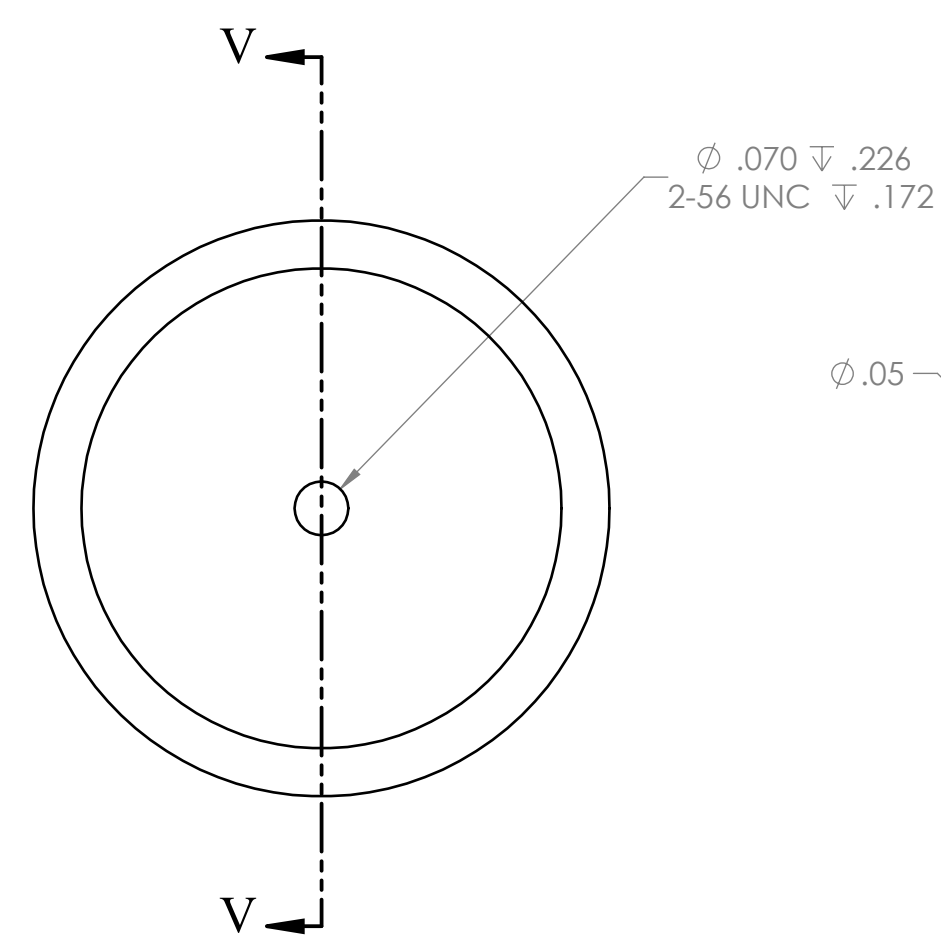
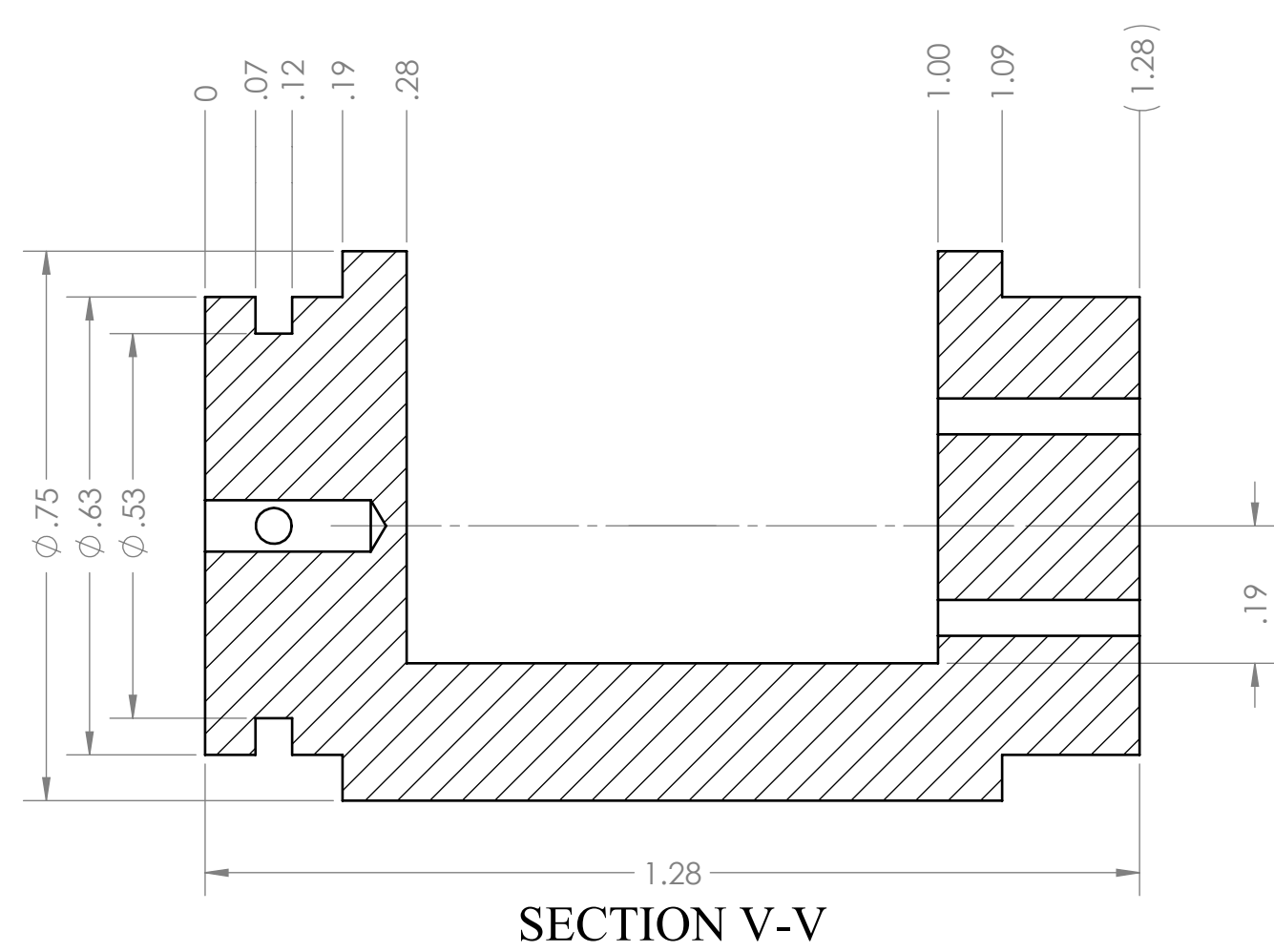
C

B

B

A

A



UNLESS OTHERWISE SPECIFIED					APPROVALS	DATE
DIMENSIONS ARE IN INCHES					P.M.	
TOLERANCES					Q.A.	
	DECIMALS	FRACTIONS			PROD.	
	.X .XX .XXX	2" < THK. > 2" THK.			ENG.	
0-.6"	$\pm .1$	$\pm .05$ $\pm .010$	$\pm 1/8"$	$\pm 3/16"$	OTHER	
>.6"-24"	$\pm .1$	$\pm .05$ $\pm .010$	$\pm 3/16"$	$\pm 1/4"$		
>24"-60"	$\pm .1$	$\pm .05$ $\pm .016$	$\pm 1/4"$	$\pm 3/8"$		
>60"+	$\pm .1$	$\pm .05$ $\pm .031$	$\pm 3/8"$	$\pm 1/2"$		
ANGLES: $\pm 2.5^\circ$					DRAWN BY:	
THIRD ANGLE PROJECTION					CHECKED BY:	
					PROPRIETARY AND CONFIDENTIAL THE INFORMATION CONTAINED IN THIS DRAWING IS THE SOLE PROPERTY OF RECOVERED ENERGY, INC. ANY REPRODUCTION IN PART OR AS A WHOLE WITHOUT THE WRITTEN PERMISSION OF RECOVERED ENERGY, INC. IS PROHIBITED.	
					P.O. #:	REV
					SIZE	MS4-M-100-10
					CAGE CODE	?
					SCALE: N.T.S.	TOTAL SHEETS: 10

8

7

6

5

4

3

2

1